

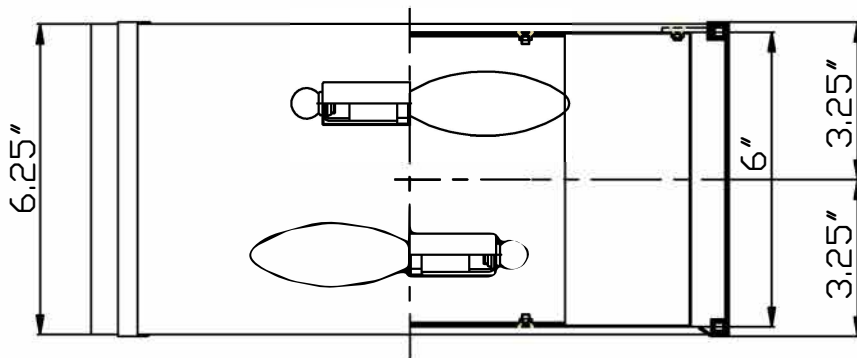
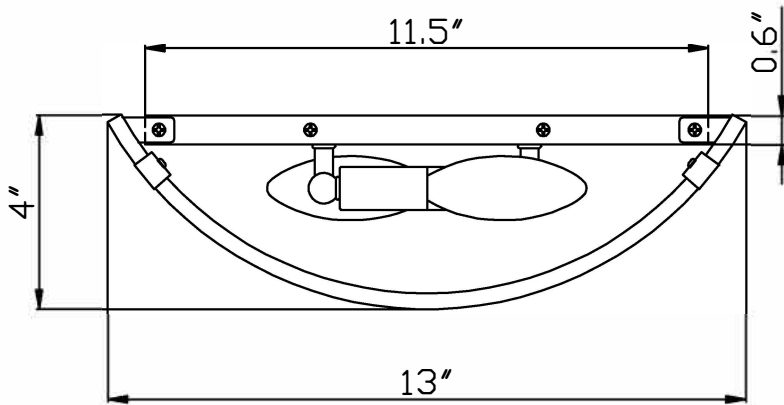
# CRYSTORAMA

LIGHTING THE WAY FOR SIXTY YEARS



Crystorama.com

## ASSEMBLY INSTRUCTION MODEL #FUL-902-BK



All electrical components must be installed by a licensed electrician in accordance with the National Electric Code and the appropriate local electrical codes.



You will need 2 - Cand. Bulb

40 Watts Recommended

60 Watts Max

USE LED BULBS FOR EXTENDED USE

This fixture is damp rated

### How to Install

1. Attach the backplate onto the outlet box using the 4 screws.
2. Install the bulb into the socket.
3. Attach the Fabric shade onto the backplate.



**WARNING:** This product can expose you to Lead, which is known to the State of California to cause cancer and/or birth defects or reproductive harm. For more information go to [www.P65Warnings.ca.gov](http://www.P65Warnings.ca.gov)

# CRYSTORAMA

LIGHTING THE WAY FOR SIXTY YEARS



**PART NUMBER** MODEL #FUL-902-BK

## Part Number

### Part Numbers

- A. (1)—Mounting hardware
- B. (1)—Backplate; W11.5"XH6"XD0.6"; #XAR902BKBKP11.5IN
- C. (2)—Screws; 8/32"
- D. (2)—Screws; M3
- E. (2)—Socket
- F. (1)Fabric Shade; W13"XH6.25"XD4" #XAR902SHA13IN

