

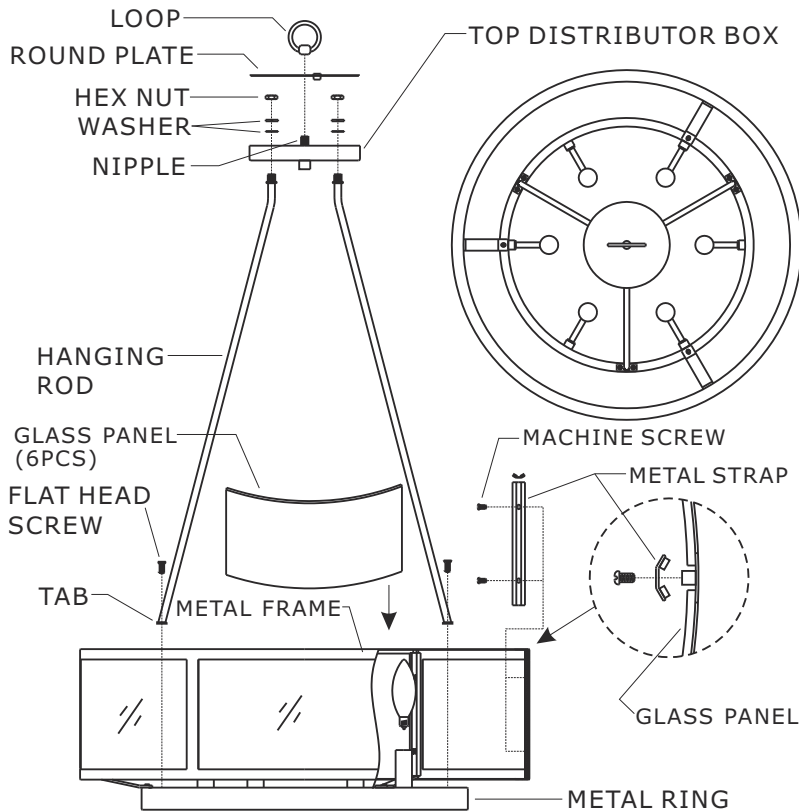
CRYSTORAMA

LIGHTING THE WAY FOR SIXTY YEARS



Crystorama.com

ASSEMBLY INSTRUCTION MODEL#BRY-8006-BF



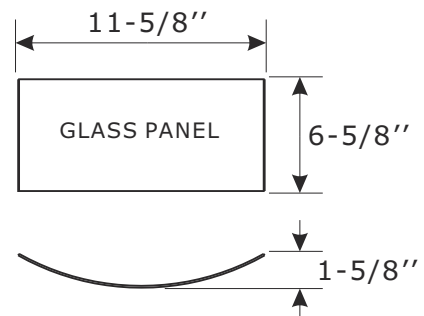
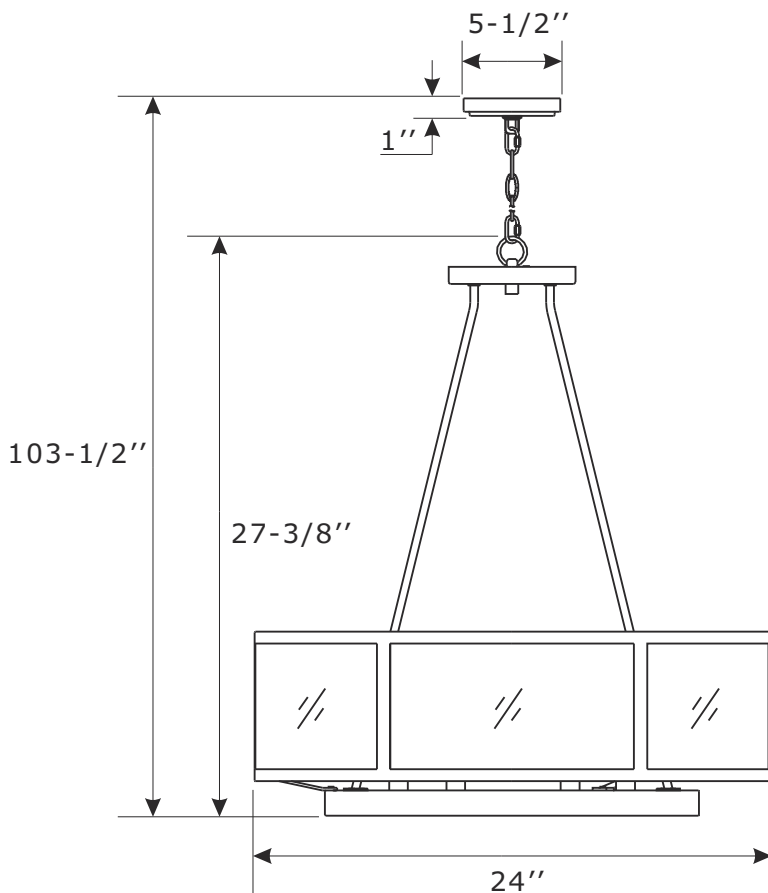
All electrical components must be installed by a licensed electrician in accordance with the National Electric Code and the appropriate local electrical codes.



You will need 6- Candelabra Base Bulb
40 Watts Recommended 60 Watts Max.
USE LED BULBS FOR EXTENDED USE
This fixture is Damp rated

How to install

1. Place the metal frame on a soft cloth covered platform and lay two pieces of glass on the two adjacent cut outs of the metal frame. Hold the glass while aligning the holes on the metal strap with the holes on the metal frame. Secure it with the machine screws. Two persons handling is recommended for this step. Please do not over tighten the screw to avoid breaking the glass.
2. Install the hanging rod onto the top distributor box. Secure them with the washer and hex nut. Repeat for all hanging rods.
3. Spread the hanging rods out equally and align the holes at the tab of hanging rod with holes in the metal ring. Secure the hanging rods with flat head screws. Now the nuts inside the top distributor box can be tightened.
4. Slip the round plate over the nipple on the top distributor box, and secure with the loop.
5. Determine the preferred hanging height and adjust to the chain required.
6. Install the fixture onto outlet box.
7. Install the bulb(not included) into the socket.



WARNING: This product can expose you to Lead which is known to the state of California to cause cancer and/or birth defects or reproductive harm. For more information go to www.P65Warnings.ca.gov



ASSEMBLY INSTRUCTION MODEL#BRY-8006-BF

Part Number

Part Numbers

- A. (1)-Mounting hardware
- B. (1)-Canopy W5-1/2"xH1" #XRF8004BFCAN5.5IN
- C. (1)-Collar loop
- D. (1)-Collar ring
- E. (2)-Quick link
- F. (1)-Chain-L72", 3.8MM thick #XRF8004BFCHA3.8MM
- G. (1)-Loop #XRF8004BFLOOP
- H. (1)-Round plate
- I. (1)-Top distributor box
- J. (3)-Hanging rod L25" #XRF8006BFHROD25IN
- K. (6)-Flat head screw
- L. (1)-Metal frame
- M. (6)-Glass panel L11-5/8"xH6-5/8" #XRF8006GLA11.625IN
- N. (6)-Metal Strap
- O. (12)-Machine screw
- P. (6)-Candle sleeve W7/8"xL2-1/4"

