

CRYSTORAMA

LIGHTING THE WAY FOR SIXTY YEARS



ASSEMBLY INSTRUCTION MODEL #BRI-3008-DB



All electrical components must be installed by a licensed electrician in accordance with the National Electric Code and the appropriate local electrical codes.



You will need 4 -Candelabra Base Bulb
40 Watts Recommended 60 Watts Max.
USE LED BULBS FOR EXTENDED USE

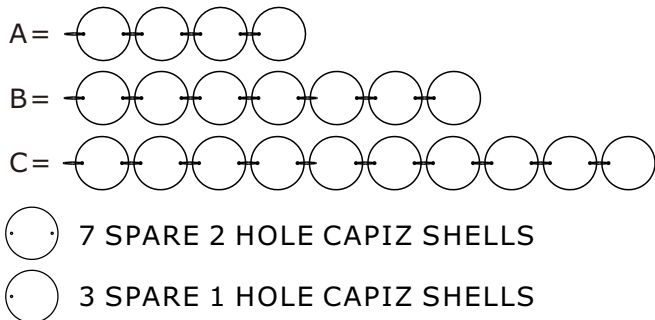
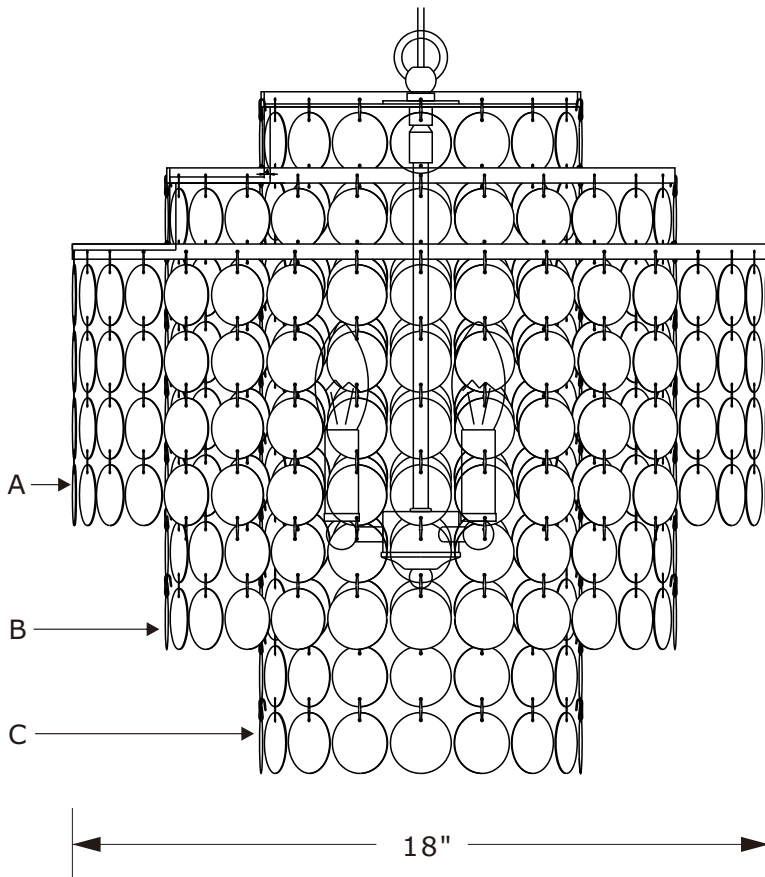
How to Install

1. Do a complete inventory of all parts and components before you start installation.
2. Attach the top of the center stem onto the swivel.
3. Place the candle sleeve onto the socket, and insert recommended bulb (not included).
4. Dress the fixture with capiz shells "A" and "B" as illustrated.
5. Determine the preferred hanging height and adjust chain as needed.

Capiz Shell Sets

- A. 33 Sets.
(4) 40mm
- B. 24 Sets.
(7) 40mm
- C. 15 Sets.
(10) 40mm

WARNING: This product can expose you to Lead, which is known to the State of California to cause cancer and/or birth defects or reproductive harm. For more information go to www.P65Warnings.ca.gov.



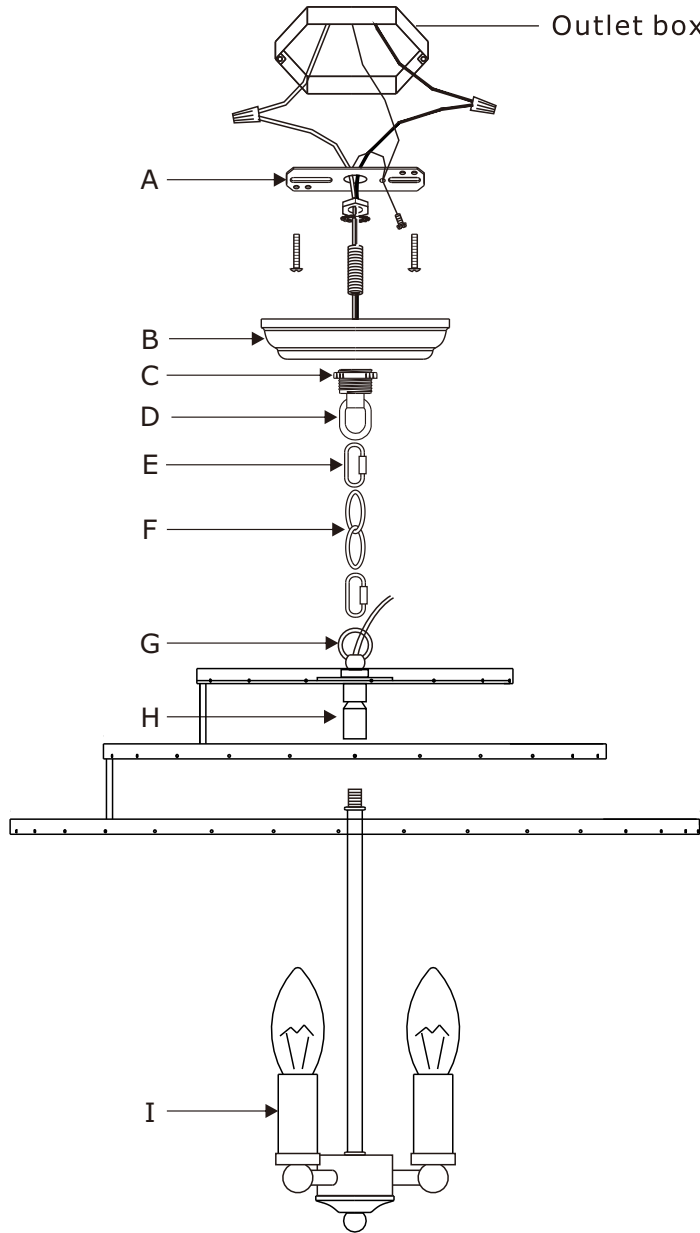
CRYSTORAMA

LIGHTING THE WAY FOR SIXTY YEARS



Crystorama.com

PART NUMBER MODEL #BRI-3008-DB



Part Number

- A. (1) - Mounting Hardware
- B. (1) - Canopy(W5", H1") #XRE3008DBCAN5IN
- C. (1) - Collar Ring
- D. (1) - Collar Loop
- E. (2) - Quick Link
- F. (1) - Hanging Chain(72",4.0mm) #XRE3006DBCHA4MM
- G. (1) - Fixture Loop
- H. (1) - Swivel
- I. (4) - Candle Sleeve(W0.87",H1.97") #XRE3002BCDL1.97IN