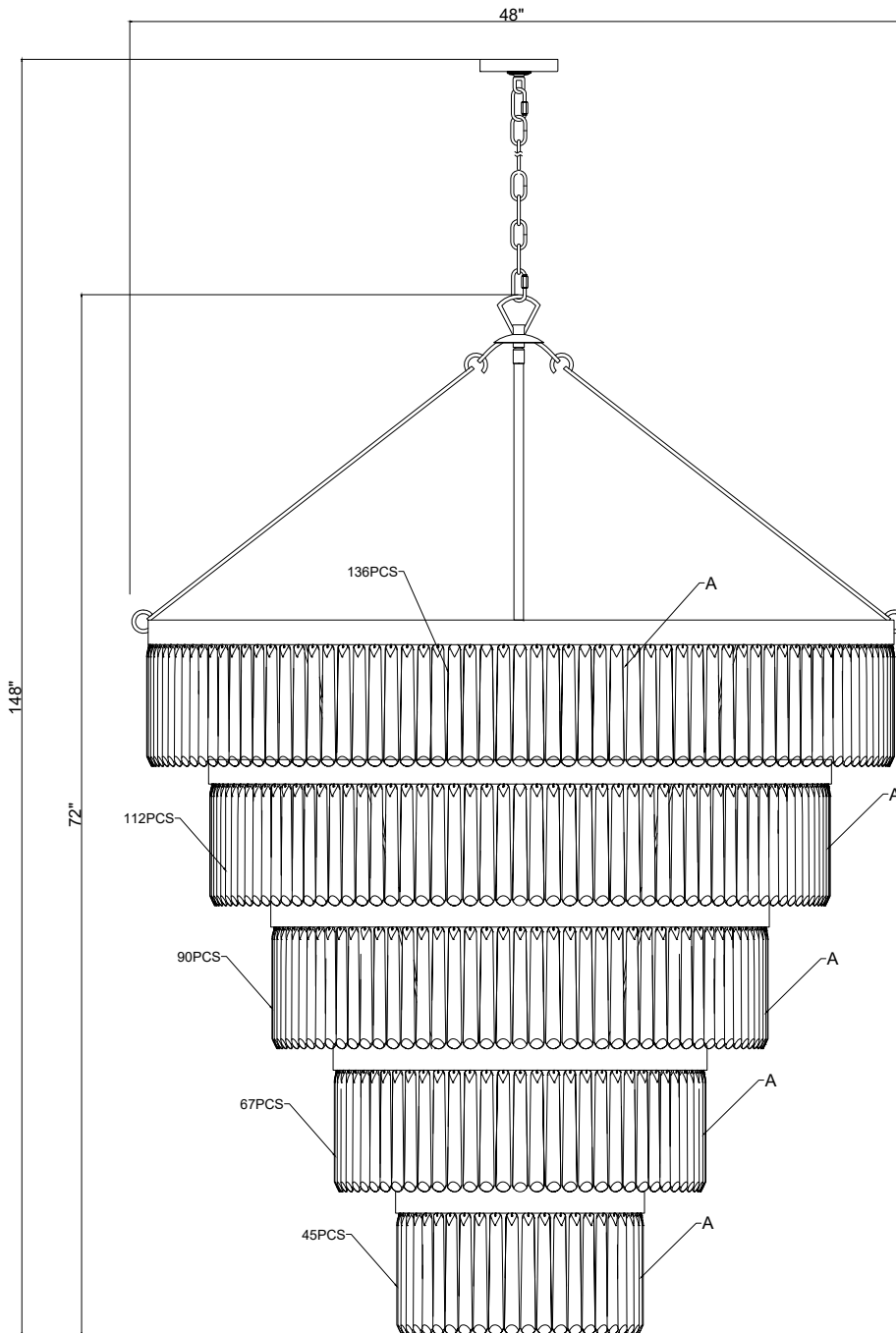


CRYSTORAMA



LIGHTING THE WAY FOR SIXTY YEARS

ASSEMBLY INSTRUCTION MODEL #EMO-5430-BK



WARNING:

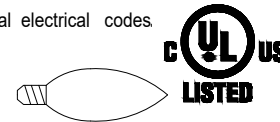


Electrical Danger



Turn Power Off

All electrical components must be installed by a licensed electrician in accordance with the National Electric Code and the appropriate local electrical codes.



You will need 30- Candelabra Base Bulb
40 Watts recommended 60 Watts Max.
USE LED BULBS FOR EXTENDED USE.

The fixture is Damp rated.

HOW TO INSTALL:

Place the fixture parts on a soft cloth-covered platform before installation of fixture.

1. Connect Banding ring #1 and the loop kit using three hanging rods.
2. Thread the wire through the center stem and combine the center stem with light cluster #1.
3. Use the center stem to assemble light cluster #1 with the loop kit.
4. Raise the fixture up and do the wire connection.
Attach the canopy over the mounting bar and secure with collar ring.
5. Decide the desired hanging height and adjust the chain to the correct length.
6. Connect the male plug of light cluster #1 to the female plug of light cluster #2.
Combine the 2 3/8" coupling of light cluster #2 with the 1 1/4" to 3" coupling of light cluster #1.
7. Attach the Inner Hanging Rods to the hooks on Banding Ring #1 then hang Banding Ring #2 by attaching the hooks on the band to the other end of the Inner Hanging Rods.
8. Repeat steps 6 to 7 to assemble all lamp kits and banding rings.
9. Dress the crystal as illustrated.

Crystal Sets

A. 450 Sets. (1)200mm Crystal

WARNING: This product can expose you to Lead, which is known to the State of California to cause cancer and/or birth defects or reproductive harm. For more information go to www.p65warnings.ca.gov

CRYSTORAMA



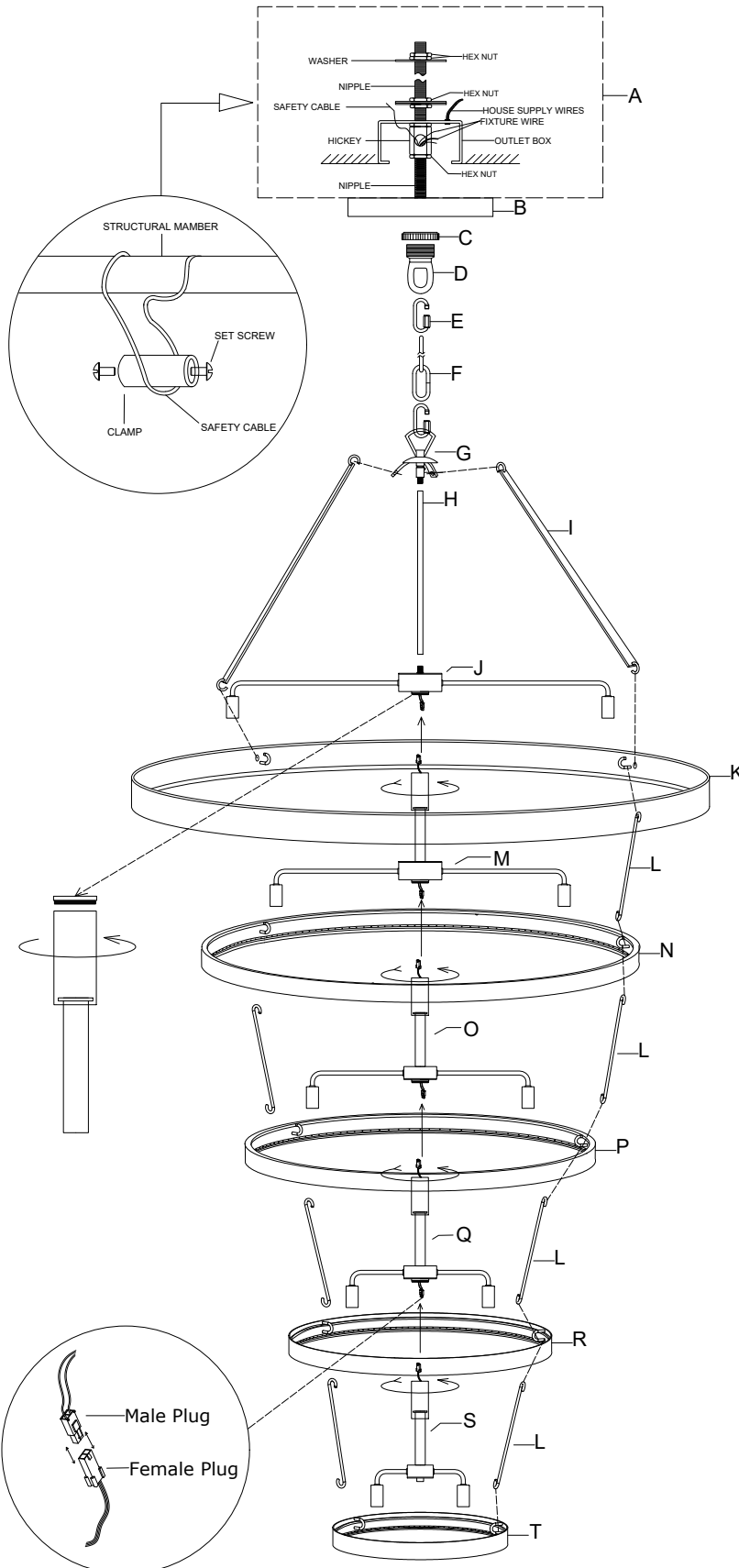
LIGHTING THE WAY FOR SIXTY YEARS

ASSEMBLY INSTRUCTION MODEL #EMO-5430-BK

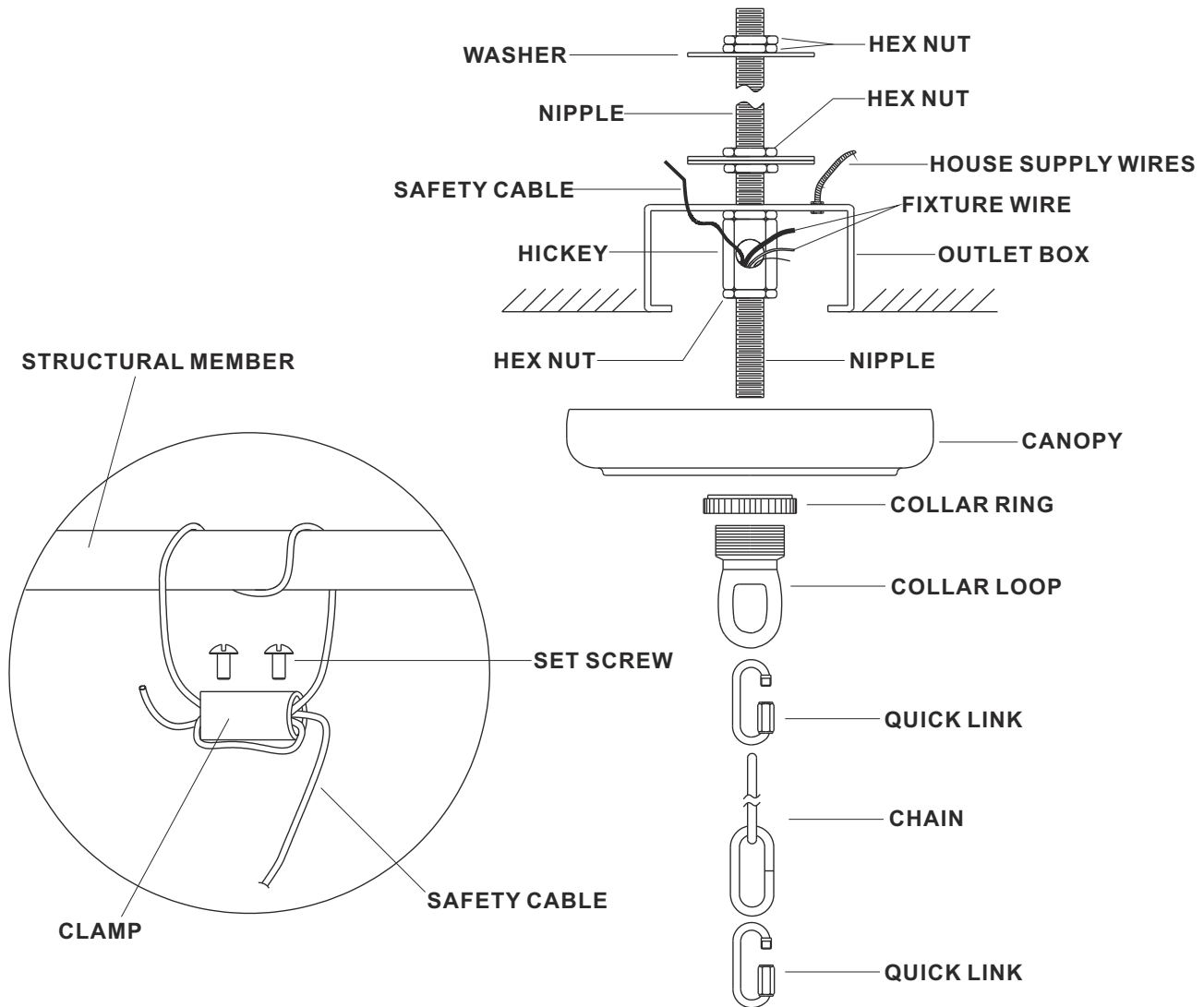
Part Number

Part Numbers

- A. (1)-Mounting hardware Washer x2.
Nipple x2.
Hex Nut x5.
Hickey x1.
Safety Cable x1. Clamp x1.
Set Screw x2.
Wire connector x2.
- B. (1)-Canopy (W6"xH1") - XSN5430BKCAN6IN
- C. (1)-Collar ring
- D. (1)-Collar loop - XSN5430BKLOOP
- E. (2)-Quick link
- F. (1)-Chain (5.5mmx120") - XSN5430BKCHA5.5MM
- G. (1)-Loop kit
Hanging bracket.
Swivel.
Thread nipple.
- H. (1)-Center stem ; H24 3/8" - XSN5430BKSTEM24.375IN
- I. (3)-Hanging rod ; H33 1/2" - XSN5430BKHROD33.5IN
- J. (1)-Light Cluster #1
Screw.
Distributor box ; Ø4"
15 3/4" Arm with socket x8.
1 1/4" to 3" coupling.
Male plug.
- K. (1)-Banding ring #1 - XSN5430BKRING1
Ø47 3/4" banding ring with 136 holes.
Inner hook x3.
- L. (12)-9" Inner Hanging Rod - XSN5430BKINROD9IN
- M. (1)-Light Cluster #2
Female plug.
2 3/8" Coupling.
4 3/8" Threaded pipe.
Distributor box ; Ø4"
11 3/4" Arm with socket x8.
1 1/4" to 3" coupling.
Male plug.
- N. (1)-Banding ring #2 - XSN5430BKRING2
Ø41 3/8" banding ring with 112 holes.
Inner hook x3.
- O. (1)-Light Cluster #3
Female plug.
2 3/8" Coupling.
4 3/8" Threaded pipe.
Distributor box ; Ø3 1/8"
9" Arm with socket x6.
1 1/4" to 3" coupling.
Male plug.
- P. (1)-Banding ring #3 - XSN5430BKRING3
Ø31 7/8" banding ring with 90 holes.
Inner hook x3.
- Q. (1)-Light Cluster #4
Female plug.
2 3/8" Coupling.
4 3/8" Threaded pipe.
Distributor box ; Ø3 1/8"
5 1/2" Arm with socket x4.
1 1/4" to 3" coupling.
Male plug.
- R. (1)-Banding ring #4 - XSN5430BKRING4
Ø24" banding ring with 67 holes.
Inner hook x3.
- S. (1)-Light Cluster #5
Female plug.
2 3/8" Coupling.
4 3/8" Threaded pipe.
Distributor box ; Ø2 3/8"
2 3/4" Arm with socket x4.
1 1/4" to 3" coupling.
Finial.
- T. (1)-Banding ring #5- XSN5430BKRING5
Ø15 3/4" banding ring with 45 holes.
Inner hook x3.



SAFETY CABLE INSTALLATION INSTRUCTIONS



IMPORTANT:

FOR A SAFE AND SECURE INSTALLATION, THESE FIXTURES MUST BE INSTALLED BY MEANS OF SUPPORTS THAT ARE INDEPENDENT OF THE OUTLET BOX.

SUGGESTED INSTALLATION:

1. Provide a 1/4 IPS pipe with one end securely mounted to a beam or a structural member. The other end should protrude through the center of the outlet, as shown.
2. Assemble the screw collar loop, nipple, hex nuts and hickey to center 1/4 IPS support pipe and adjust overall length to allow the collar ring to hold the canopy flush to the ceiling. When the adjustments have been completed secure the hex nut, as shown.
3. Use one quick link to connect fixture loop and the bottom of chain. Slide the screw collar ring over the upper end of the chain, through the (Finished side down). Then use another quick link to connect collar loop and the top of chain.
4. Lace the fixture wires, ground wires and safety cable through the chain and screw collar loop, exiting through the side of HICKEY. Proceed to attach the FIXTURE GROUND WIRE to HOUSE GROUND WIRE using wire connector. Using wire connectors, connect the HOUSE WHITE WIRE to the FIXTURE SUPPLY WIRE (WHITE OR RIBBED SIDE); connect the HOUSE BLACK (or RED) WIRE to the FIXTURE SUPPLY WIRE (BLACK or SMOOTH SIDE). Wrap all connectors with approved electrical tape. Wrap safety cable around outlet box brace and pull cable taut. Secure cable with the clamp and (2) set screws provided, as shown.
5. Push the CANOPY upward over the OUTLET BOX. Be sure that all wires are carefully tucked into the OUTLET BOX cavity. Secure canopy against ceiling by threading CANOPY LOCK RING onto the CANOPY LOOP. Tighten until snug.