

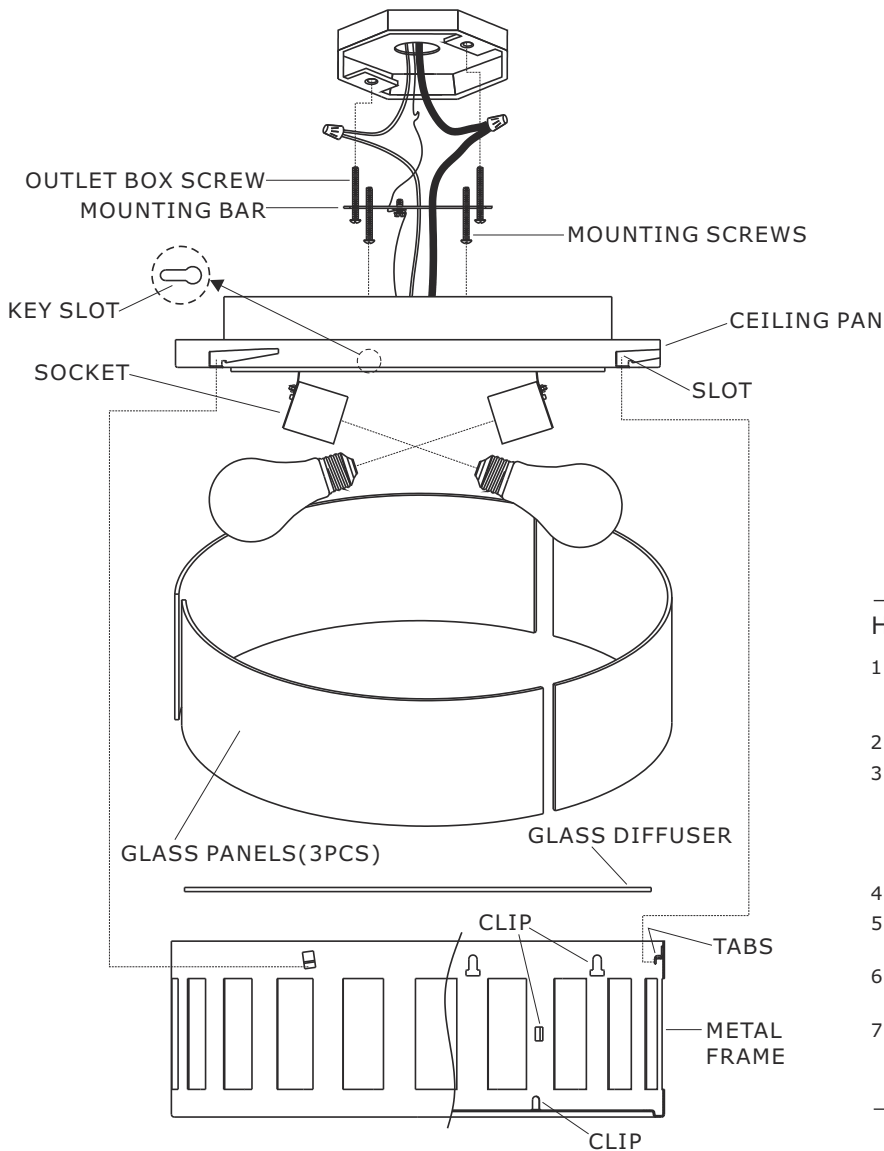
# CRYSTORAMA

LIGHTING THE WAY FOR SIXTY YEARS



Crystorama.com

## ASSEMBLY INSTRUCTION MODEL#KEN-2203-VG



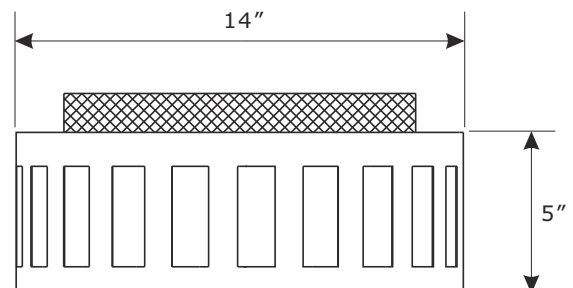
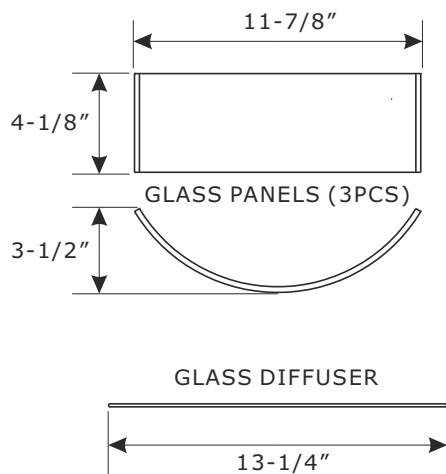
All electrical components must be installed by a licensed electrician in accordance with the National Electric Code and the appropriate local electrical codes.



You will need 3-Medium Base Bulb  
40 Watts Recommended 60 Watts Max.  
USE LED BULBS FOR EXTENDED USE  
This fixture is Damp rated

### How to install

1. Thread the mounting screws into the matching holes in the mounting bar. Secure the mounting bar to outlet box with the outlet box screws.
2. Connect fixture wires to supply wires in outlet box.
3. Raise the ceiling pan allowing for the mounting screws to protrude through key slots on the ceiling pan. Rotate the ceiling pan clockwise until the mounting screws are in narrow part of key slots, tighten with a screwdriver.
4. Install the bulb (not included) into the socket.
5. Slide the glass diffuser onto the bottom of metal frame and secure it with clips.
6. Slide the glass panels inside the metal frame and secure it with clips.
7. Raise the metal frame and insert the tabs on the metal frame into the slot of ceiling pan. Secure it by turning it clockwise.



### HOW TO REPLACE THE BULB:

PUSH UP THE METAL FRAME AND TURN IT COUNTERCLOCKWISE TO REMOVE IT FOR RELAMPING.

**WARNING:** This product can expose you to Lead which is known to the state of California to cause cancer and/or birth defects or reproductive harm. For more information go to [www.P65Warnings.ca.gov](http://www.P65Warnings.ca.gov)



## ASSEMBLY INSTRUCTION MODEL#KEN-2203-VG

### Part Number

#### Part Numbers

- A. (1)-Mounting hardware
- B. (1)-Ceiling pan
- C. (3)-Socket
- D. (3)-Glass panel #XRF2203GLA11.875IN
- E. (1)-Glass diffuser #XRF2203DIF13.25IN
- F. (1)-Metal frame

