

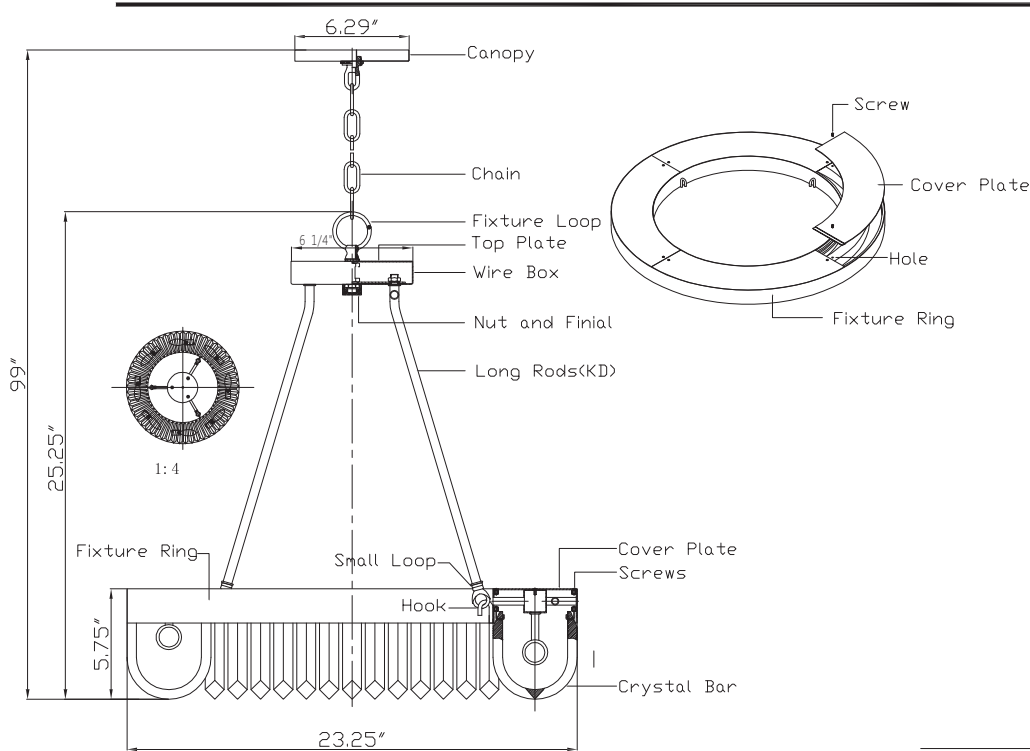
CRYSTORAMA



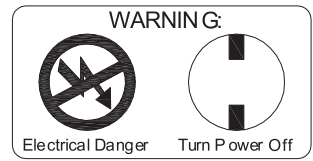
Crystorama.com

LIGHTING THE WAY FOR SIXTY YEARS

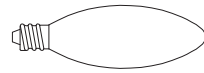
ASSEMBLY INSTRUCTION MODEL #ALI-B2008-CZ



For Hanging

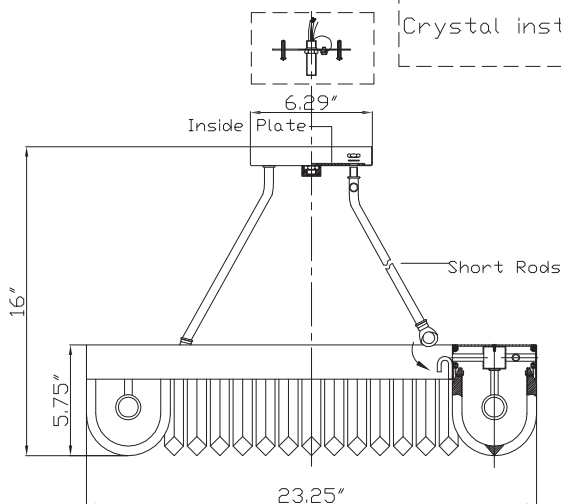
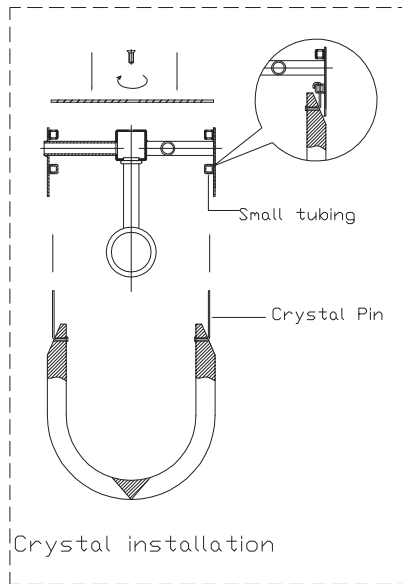
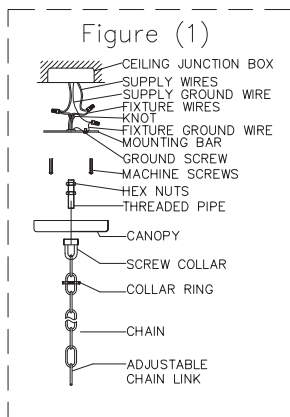


All electrical components must be installed by a licensed electrician in accordance with the National Electric Code and the appropriate local electrical codes.



You will need 8 - Cand. Bulb
40 Watts Recommended
60 Watts Max

USE LED BULBS FOR EXTENDED USE
This fixture is DAMP rated



For Ceiling

How to Install

How to Install: Hanging

1. Pass the fixture wire through one of the long rods and attach it onto the top wire box and secure it with nuts.
2. Attach the remaining 2 long rods onto the wire box and secure with nuts.
3. Pass the fixture wires through the hickey inside the wire box and then through the top plate and loop.
4. Secure the top plate with loop.
5. Hook the long rods onto the fixture ring.
6. Refer to figure 1 for canopy, wiring installation.
7. Take the cover plate on the fixture ring off by removing the screws.
8. Pass the crystal pin through the crystal bar and raise it up and let the pin pass through the small tubing inside the ring. Then bend the pin over to secure the crystal. See illustration.
9. Install the bulb and put the cover plate back and secure it with screws.

How to Install: Ceiling Mount

1. Same crystal installation step as the hanging.
2. Remove the loops off the long rod and install them on the short rods.
3. Pass the fixture wire through one of the short rods and attach it onto the top wire box and secure it with nuts.
4. Attach the remaining short rods onto the wire box and secure with nuts.
5. Install the frame onto the outlet box and secure it with finial.

Changing bulb

Gently spread two crystal bars apart, to access the bulb sockets.

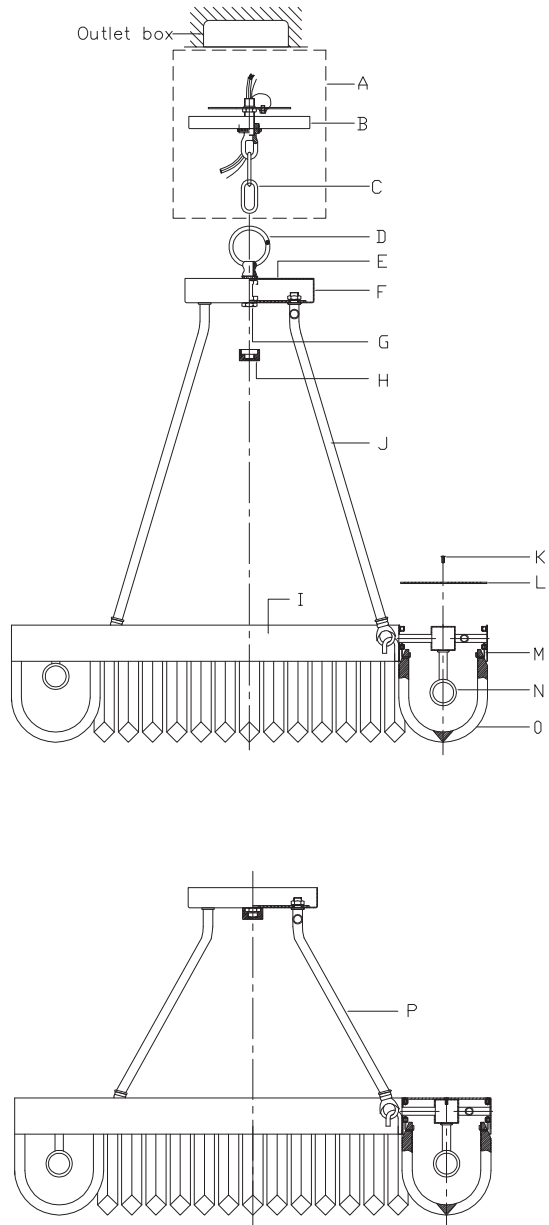
WARNING: This product can expose you to Lead, which is known to the State of California to cause cancer and/or birth defects or reproductive harm. For more information go to www.P65Warnings.ca.gov

CRYSTORAMA



LIGHTING THE WAY FOR SIXTY YEARS

PART NUMBER MODEL #ALI-B2008-CZ



Part Number

Part Numbers

- A. (1)–Mounting hardware;
- B. (1)–Canopy; W6.29”XH0.5”; #XAR2008CZCAN6.29IN
- C. (1)–Chain; 72”; 4.0mm; #XAR2008CZCHA4MM
- D. (1)–Fixture Loop;
- E. (1)–Top Plate;
- F. (1)–Wire house;
- G. (1)–Nut;
- H. (1)–Finial; #XAR2008CZFIN
- I. (1)–Fixture Ring;
- J. (3)–Long Rod; $\phi 0.5$ ”XL18”; #XAR2008CZR0D18IN
- K. (9)–Screw;
- L. (3)–Cover Plate; 4.25”X16.5”;
- M. (114)–Crystal Pin;
- N. (8)–Socket;
- O. (57)–Crystal Bar;
- P. (3)–Short Rod; $\phi 0.5$ ”XL12”; #XAR2008CZR0D12IN

