

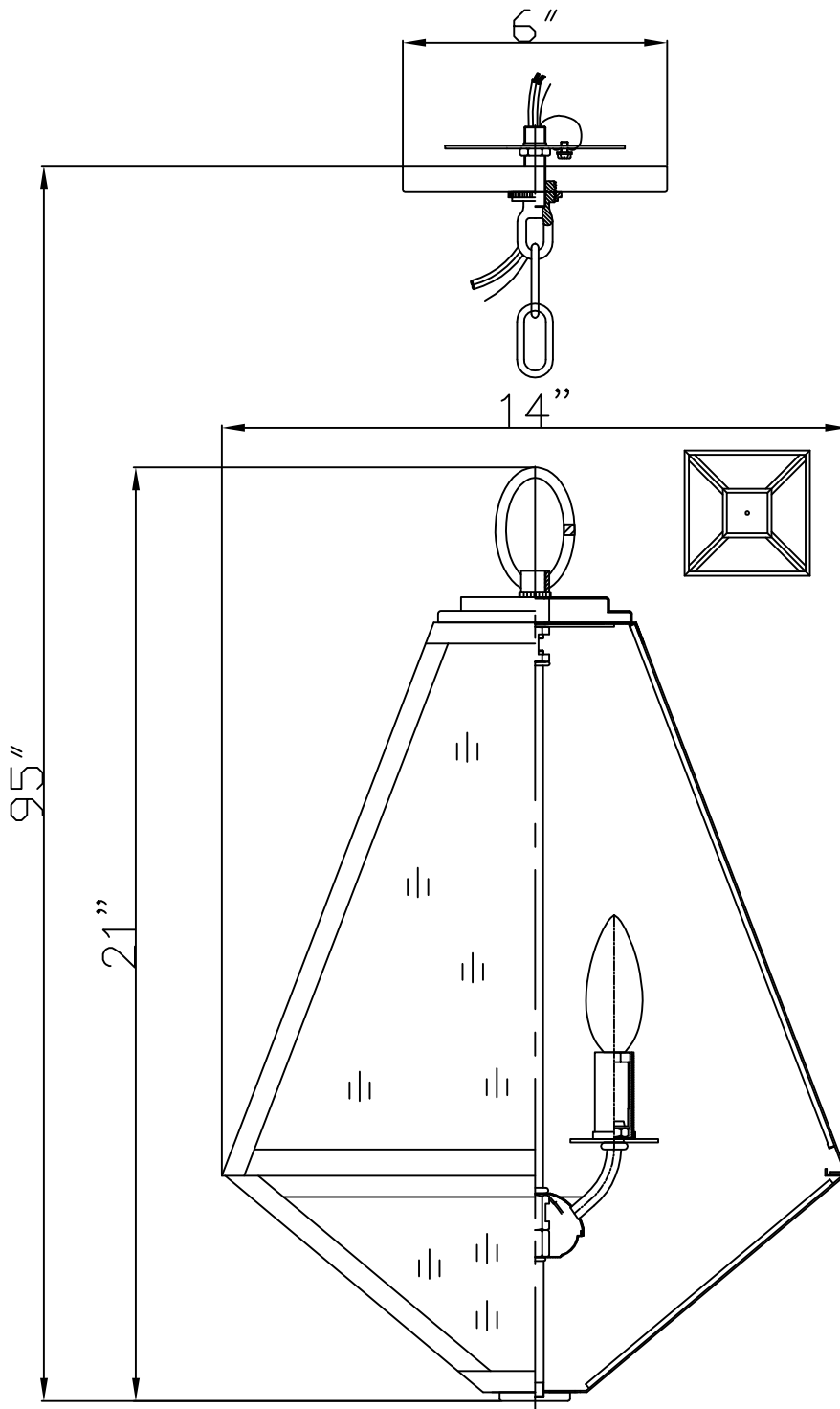
CRYSTORAMA

LIGHTING THE WAY FOR SIXTY YEARS

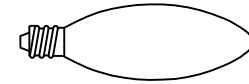


Crystorama.com

ASSEMBLY INSTRUCTION MODEL #GLA-9705-WT-BC



WARNING:
All electrical components must be installed by a licensed electrician in accordance with the National Electric Code and the appropriate local electrical codes.



You will need 3 - Cand.Bulb
60 Watts Recommended

USE LED BULBS FOR EXTENDED USE
California T24 JA8-2016 Qualified: Satco (S9612); 10.5 watt LED Medium Base recommended. Bulb not included

How to Install

1. To install glass panels, separate the Bottom Cage and the Top Cage, by removing the Decorative Nut.
2. Bend glass Clip and slide Glass #1 into the Top Cage and Glass # 2 into the Bottom Cage.
3. Bend glass Clip to secure Glass # 1 and Glass # 2
4. Install the bulb(not included) to the socket.
5. Connect the Bottom Cage and the Top Cage, by screwing in Decorative Nut to secure cage.
6. The canopy of the fixture can now be mounted to the ceiling.

Replacement Glass installation:

1. Follow instructions # 1 through # 3 above to install new glass. Complete by connecting the Bottom Cage and the Top Cage by screwing in Decorative Nut to secure cage.

Bulb replacement:

1. Separate the Bottom Cage and the Top Cage, by removing Decorative Nut.
2. Install the bulb(not included) into the socket
3. Complete by connecting the Bottom Cage and the Top Cage by screwing in Decorative Nut to secure cage.

After securing fixture to the ceiling it is recommended that the gap between the ceiling and the canopy be sealed on the top and both sides, with a good quality waterproof caulk or silicone sealant (NOT INCLUDED)

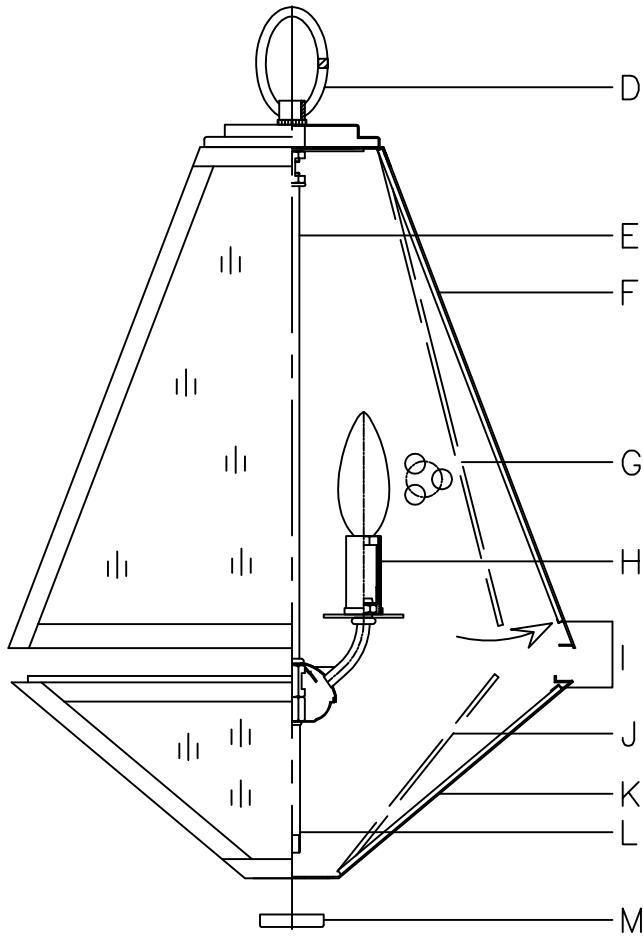
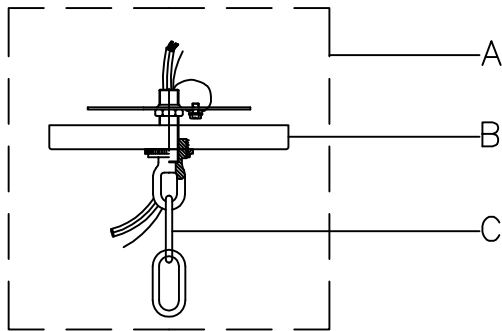
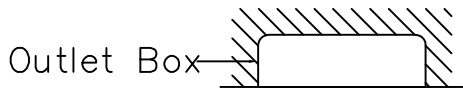


WARNING: This product can expose you to Lead, which is known to the State of California to cause cancer and/or birth defects or reproductive harm. For more information go to www.P65Warnings.ca.gov

CRYSTORAMA

LIGHTING THE WAY FOR SIXTY YEARS

PART NUMBER MODEL #GLA-9705-WT-BC



Part Number

Part Numbers

- A. (1)–Mounting hardware
- B. (1)–Canopy; W6”XH0.5”; (XNO9705BCCAN6IN)
- C. (1)–Chain; 72”; ϕ 4.0mm; (XNO9705BCCHA4MM)
- D. (1)–LOOP
- E. (1)–Center Rod
- F. (1)–Top Cage
- G. (4)–Glass 1; (4.25”+13.3”)X12.5” (XNO9705WTGLA12.5IN)
- H. (3)–Candle sleeves; ϕ 0.75”X2”; (XNO9702BCCDL2IN)
- I. (8)–Clip
- J. (4)–Glass 2; (2.36”+13”)X7” (XNO9702WTGLA7IN)
- K. (1)Bottom Cage
- L. (1)Bottom threaded pipe
- M. (1)Decorative nut; (XNO9701BCDECNUT)