



## ASSEMBLY INSTRUCTION MODEL#CHA-491-PN

### WARNING:



Electrical Danger

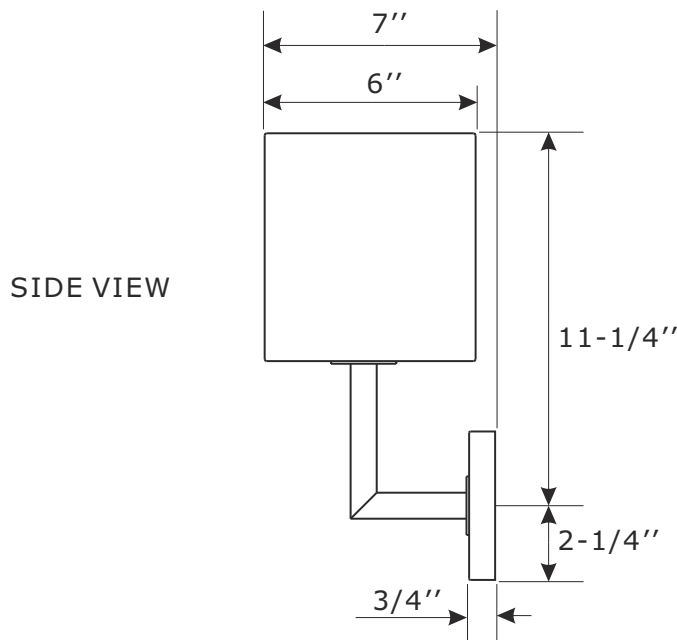
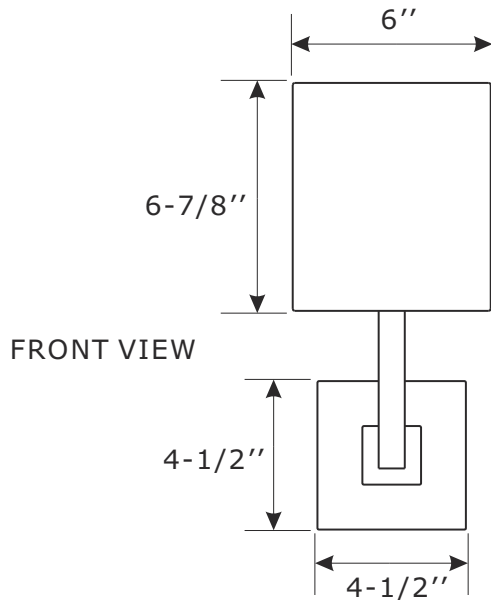


Turn Power off

All electrical components must be installed by a licensed electrician in accordance with the National Electric Code and the appropriate local electrical codes.



You will need 1- Medium Base Bulb  
40 Watts Recommended 60 Watts Max.  
USE LED BULBS FOR EXTENDED USE  
This fixture is Dry rated



### How to install

1. Install the mounting plate to the outlet box using two outlet box screws.
2. Install backplate onto the mounting plate, and secure with the mounting screws.
3. Install the fabric shade over the socket, and secure with the socket ring.
4. Install the bulb(not included) into the socket.



## ASSEMBLY INSTRUCTION MODEL#CHA-491-PN

### Part Number

#### Part Numbers

- A. (1)-Mounting hardware
- B. (1)-Mounting plate
- C. (1)-Backplate W4-1/2"xH3/4" #XRF491PNBKP4.5IN
- D. (2)-Screw
- E. (1)-Socket
- F. (1)-Fabric shade W6"xH6-7/8" #XRF491PNSHA6.875IN
- G. (1)-Socket ring

