

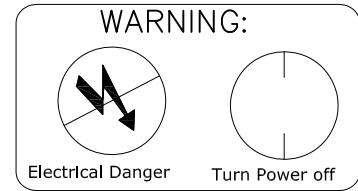
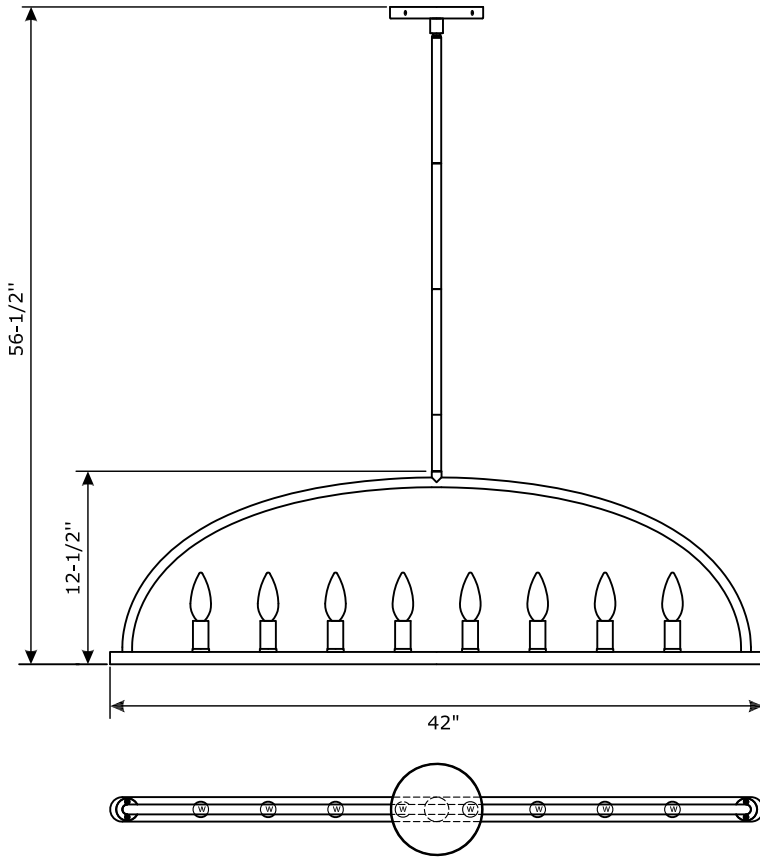
# CRYSTORAMA

LIGHTING THE WAY FOR SIXTY YEARS



## ASSEMBLY INSTRUCTION MODEL #ABB-3007-VG

Drawing (1)



All electrical components must be installed by a licensed electrician in accordance with the National Electric Code and the appropriate local electrical codes.

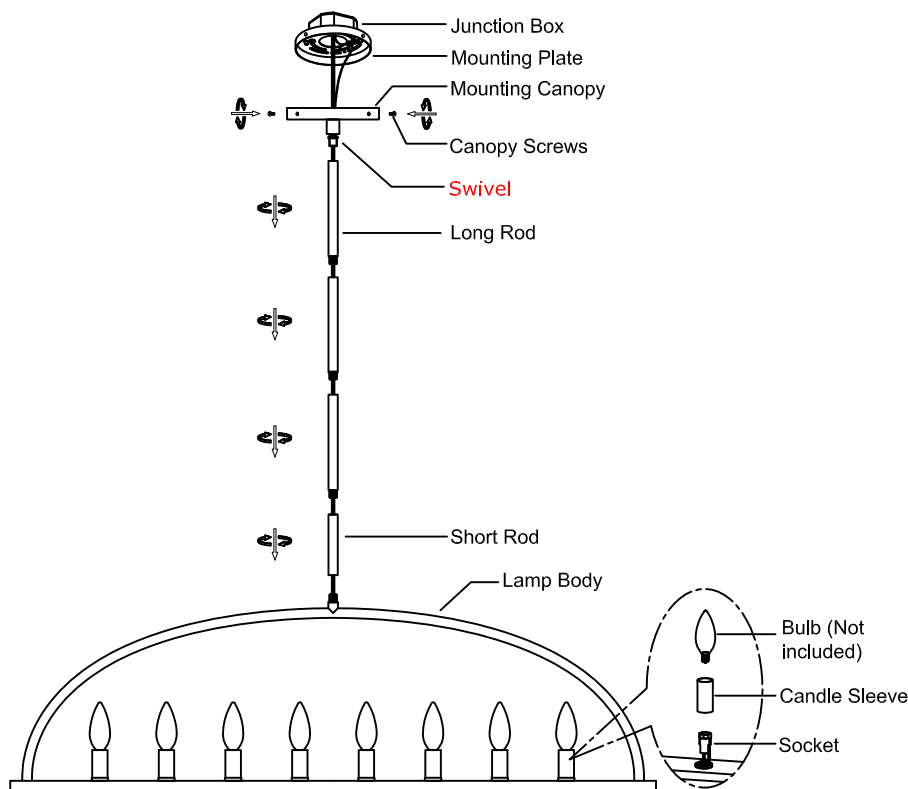


You will need 8-Candelabra  
40 Watts Recommended 60 Watts Max.  
USE LED BULBS FOR EXTENDED USE  
THIS FIXTURE IS DRY RATED

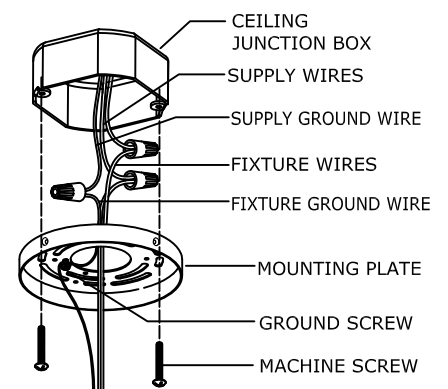
### How to install for hanging:

Please place the fixture frame on a soft cloth covered table before the installation.

1. Determine the desired hanging height and choose the correct length of rod.
2. Feed the fixture wires through the rods and canopy. Afterwards, connect the rods together then screw the swivel onto the top of the upper-most rod.
3. The canopy of the fixture can now be mounted to the ceiling by following instruction **Drawing 2**.
4. Place the Candle Sleeve over the Socket. Install the Bulb into the socket.



Drawing (2)



**⚠ WARNING:** This product can expose you to Lead which is known to the state of California to cause cancer and/or birth defects or reproductive harm. For more information go to [www.P65Warnings.ca.gov](http://www.P65Warnings.ca.gov)

# CRYSTORAMA

LIGHTING THE WAY FOR SIXTY YEARS



ASSEMBLY INSTRUCTION MODEL #ABB-3007-VG

## Part Number

### Part Numbers

- A. (1)-Mounting hardware
- B. (1)-Canopy W6"x H0.75" (XFW3007VGCAN6IN)
- C. (3)-Canopy Screw W0.16"x H0.48"
- D. (3)-Long Rod W5/8"x H12" (XFW3007VGROD12IN)
- E. (1)-Short Rod W5/8"x H6" (XFW3007VGROD6IN)
- F. (1)-Lamp Body
- G. (8)-Bulb (Not included)
- H. (8)-Metal Candlesleeve W1"x H2" (XFW3003VGCDL2IN)

