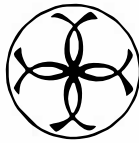


CRYST RAMA



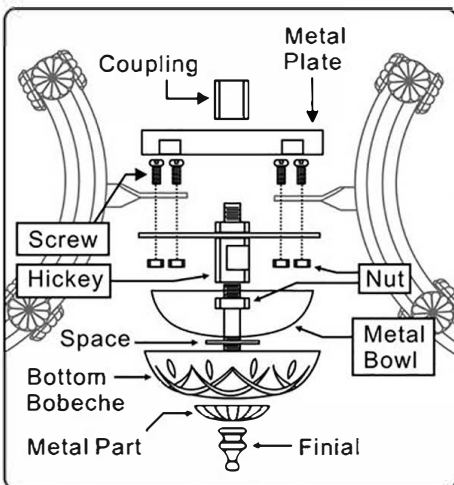
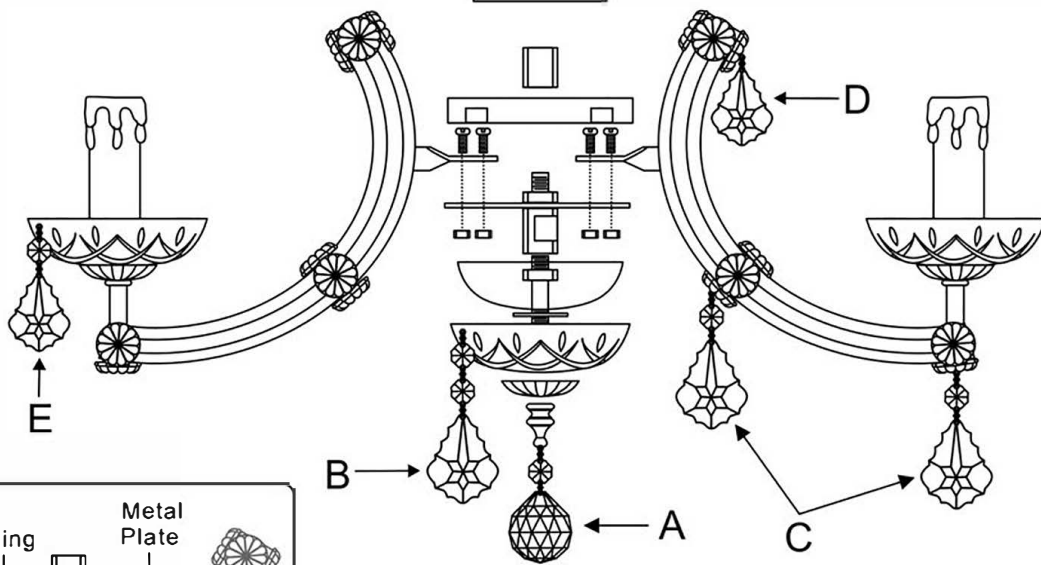
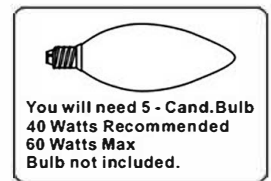
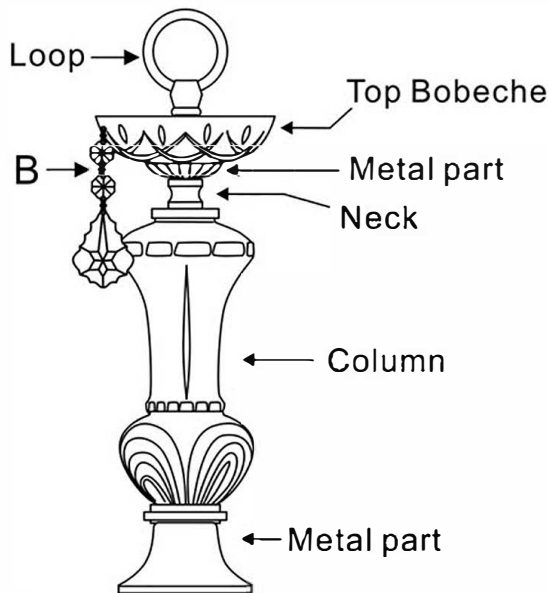
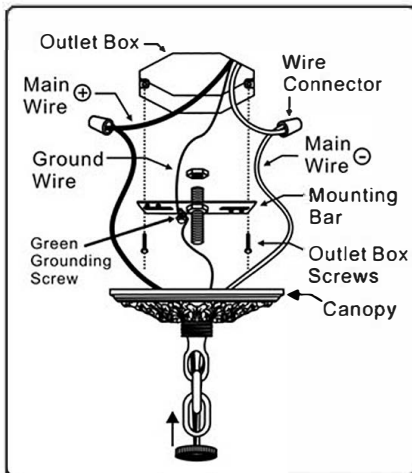
1958

95 Cantiague Rock Road, Westbury NY 11590
 ph:516.931.9090 fax: 516. 931.1254
 info@crystorama.com www.crystorama.com

MODEL#:4376 ASSEMBLY AND DRESSING INSTRUCTIONS



All electrical components must be installed by a licensed electrician in accordance with the National Electric Code and the appropriate local electrical codes.



- A= (1x40mm Ball + 1 Jewels)* 1pc
- B= (20/50-2" + 2 Jewels)*10pcs
- C= (20/64-2.5") * 10pcs
- D= (20/50-2" No Jewel)* 5pcs
- E= (20/50-2") * 20pcs