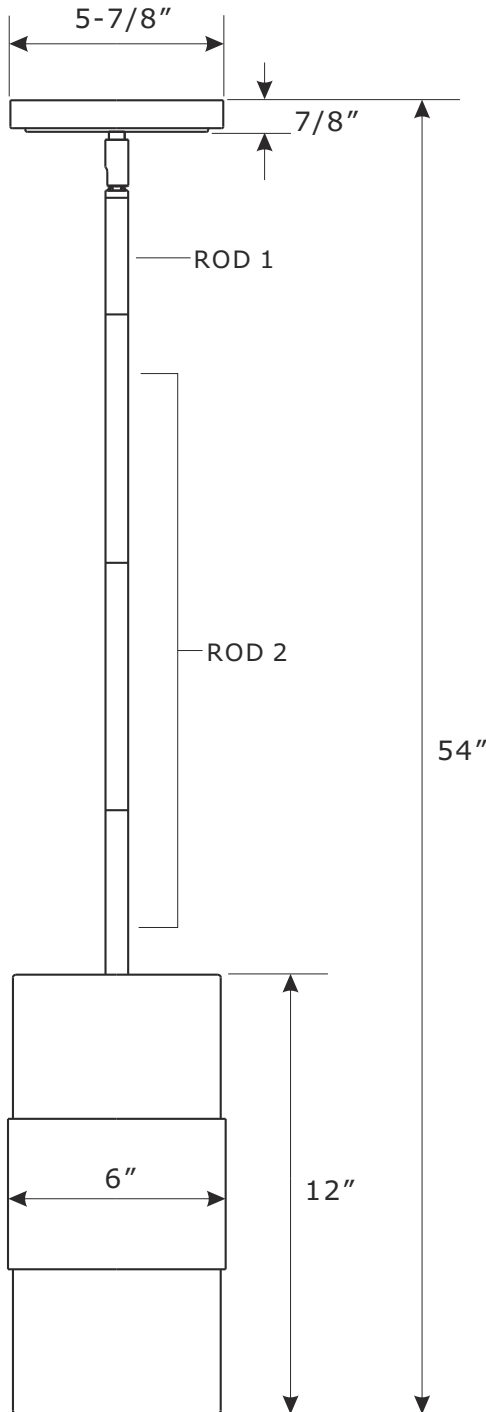
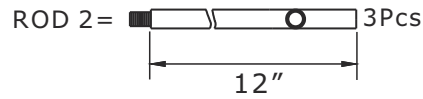
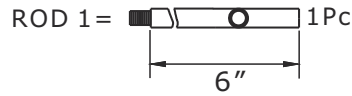




ASSEMBLY INSTRUCTION MODEL#290-DB



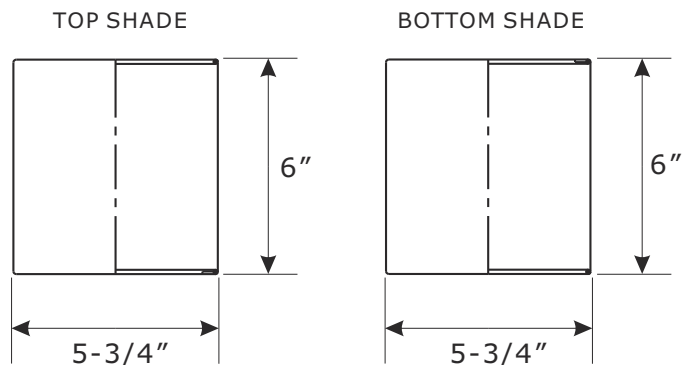
All electrical components must be installed by a licensed electrician in accordance with the National Electric Code and the appropriate local electrical codes.



You will need 1-Medium Base Bulb
40 Watts Recommended 60 Watts Max.
USE LED BULBS FOR EXTENDED USE
This fixture is Dry rated

How to install

1. Separate the mounting plate from the canopy kit by removing the screws.
2. Install the mounting plate to the outlet box using two outlet box screws.
3. Determine the preferred hanging height and adjust the required rods.
4. Feed the wires through the rods and connect them together.
5. Slip canopy kit along wire and thread it into the top of the rod assembly.
6. Install canopy onto the mounting plate, and secure with the mounting screws.
7. Install the bulb(not included) into the socket.





ASSEMBLY INSTRUCTION MODEL#290-DB

Part Number

Part Numbers

- A. (1)-Mounting hardware
- B. (1)-Mounting plate
- C. (2)-mounting screw
- D. (1)-Canopy kit W5-7/8"xH7/8" #XRF290DBCAN5.875IN
- E. (1)-Rod D5/8"xL6" #XRF290DBROD6IN
- F. (3)-Rod D5/8"xL12" #XRF290DBROD12IN
- G. (1)-Top shade W5-3/4"xH6" #XRF290DBSHA6IN
- H. (4)-Cylinder nut
- I. (1)-Bottom shade W5-3/4"xH6" #XRF290DBBOTSHA6IN

