

CRYSTORAMA

LIGHTING THE WAY FOR SIXTY YEARS

ASSEMBLY INSTRUCTION MODEL #8851-PN

WARNING



Electrical Danger



Turn Power Off

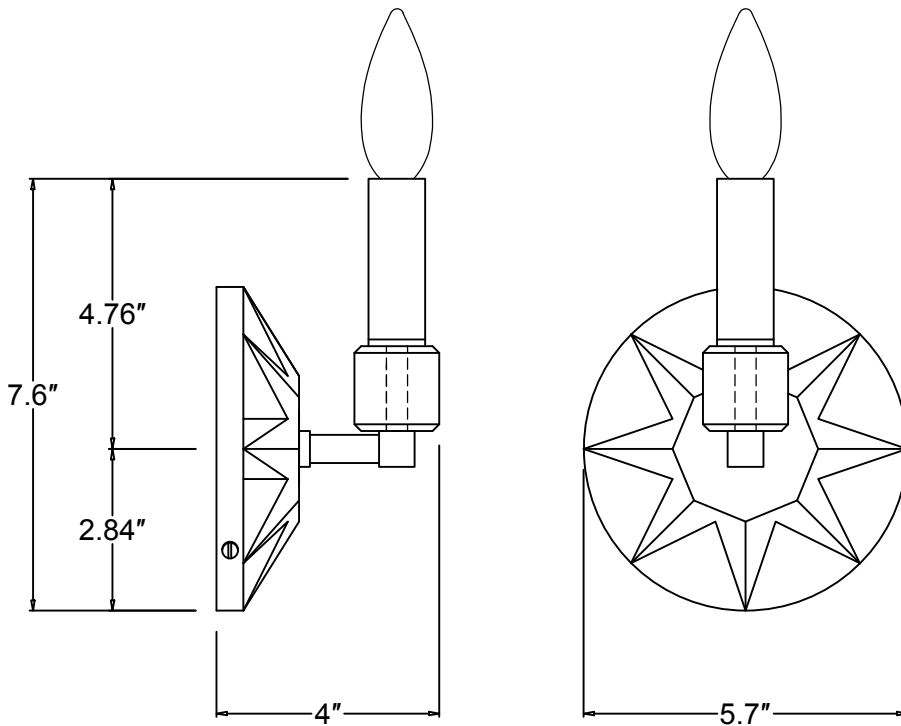
All electrical components must be installed by a licensed electrician in accordance with the National Electric Code and the appropriate local electrical codes.



You will need 1-Candelabra Bulb
60 watts Max Bulb not included
USE LED BULBS FOR EXTENDED USE
This fixture is DRY rated

How to Install

1. Attach the Back Plate onto the mounting plate.
2. Install the recommended bulbs (not included).



CRYSTORAMA

LIGHTING THE WAY FOR SIXTY YEARS

PART NUMBER MODEL #8851-PN

Part Number

Part Numbers

A. Mounting Hardware

(1) Mounting Plate

(2) Wire Nut

(2) Machine Screws

(3) Screws

B. (1) Back plate; $\varnothing 5.7$ " x 1.5" h; XMO8851PNBKP1.5IN

C. (1) Crystal Block

D. (1) Candle Sleeve

