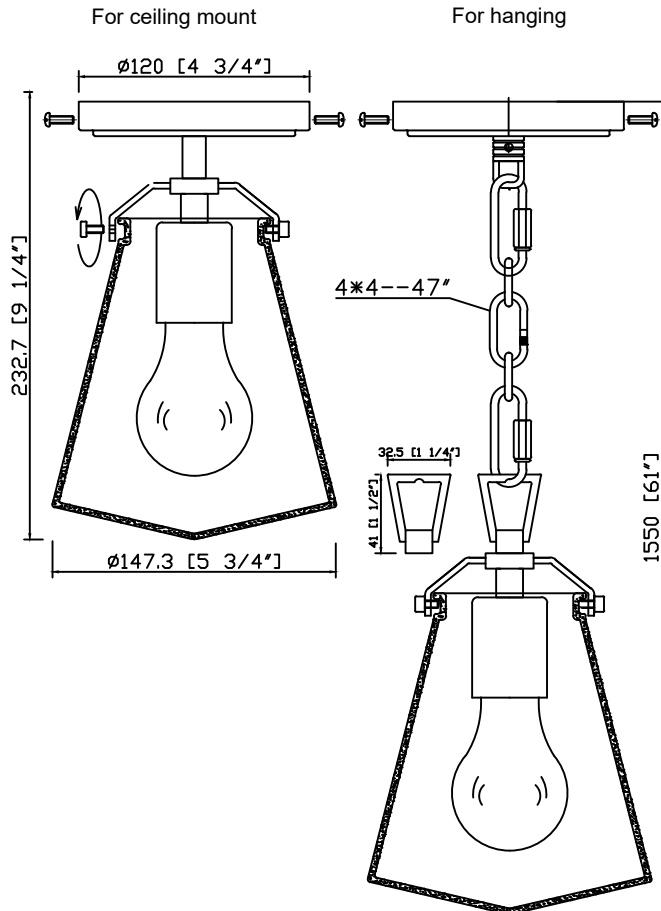
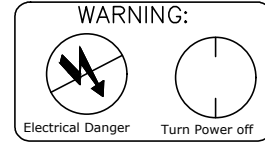


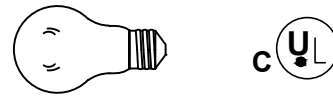
CRYSTORAMA

LIGHTING THE WAY FOR SIXTY YEARS

ASSEMBLY INSTRUCTION MODEL #VSS-7002-MK_CEILING



All electrical components must be installed by a licensed electrician in accordance with the National Electric Code and the appropriate local electrical codes.



You will need 1 – Med.Bulb
40 Watts Recommended 60 Watts Max

USE LED BULBS FOR EXTENDED USE
This fixture is Damp rated.

How to Install

For ceiling mount:

1. Remove the screw collar loop from the canopy. Attach the spacer rod onto canopy using the hexnut.
2. Remove the fixture loop from the frame.
3. Thread the canopy onto the top of frame.
4. Install the mounting plate using the two outlet box screws.
5. Raise the frame up to the ceiling and do the wire connections. Secure the canopy with screws.
6. Install the bulb onto the socket and slide the glass over the light cluster and let the spoke hold the glass using the cap nuts. Do not over tighten it to prevent the glass from breaking.

For hanging:

1. Install the mounting plate onto the outlet box using two outlet box screws.
2. Decide the preferred hanging height and choose the correct length of chain needed.
3. Raise the frame up to the ceiling and do the wire connection. Secure with canopy with screws.
4. Install the bulb onto the socket and slide the glass over the light cluster and let the spoke hold the glass using the cap nuts. Do not over tighten it to prevent the glass from breaking.



WARNING: This product can expose you to Lead, which is known to the State of California to cause cancer and/or birth defects or reproductive harm. For more information go to www.P65Warnings.ca.gov

CRYSTORAMA

LIGHTING THE WAY FOR SIXTY YEARS

ASSEMBLY INSTRUCTION MODEL #VSS-7002-MK_CEILING

Part Number

Part Numbers

- A. (1)-Mounting hardware
- B. (1)-Canopy (XAR7002MKCAN4.75IN)
- C. (2)-Screws
- D. (1)-Spacer rod
- E. (1)-Frame
- F. (1)-Clear Glass shade Ø5.75"*H6.5"
(XAR7001GLA5.75IN)
- G. (4)-Cap nut
- H. (1)-Screw collar loop
- I. (1)-Chain T4MM*L47" (XAR7002MKCHA4MM)
- J. (1)-Fixture loop
- K. (1)-Light cluster

