

CRYST RAMA



1958

95 Cantiague Rock Road, Westbury NY 11590

ph:516.931.9090 fax: 516. 931.1254

info@crystorama.com www.crystorama.com

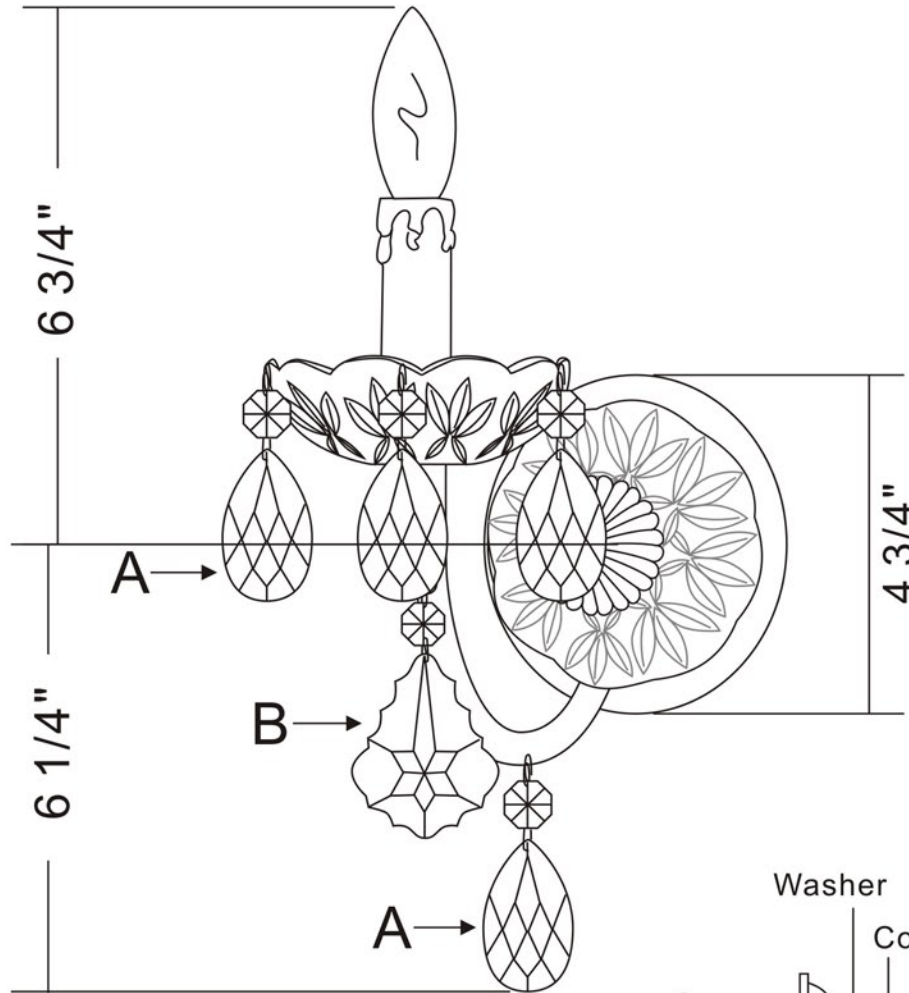
MODEL#:3221

ASSEMBLY AND DRESSING INSTRUCTIONS

WARNING:

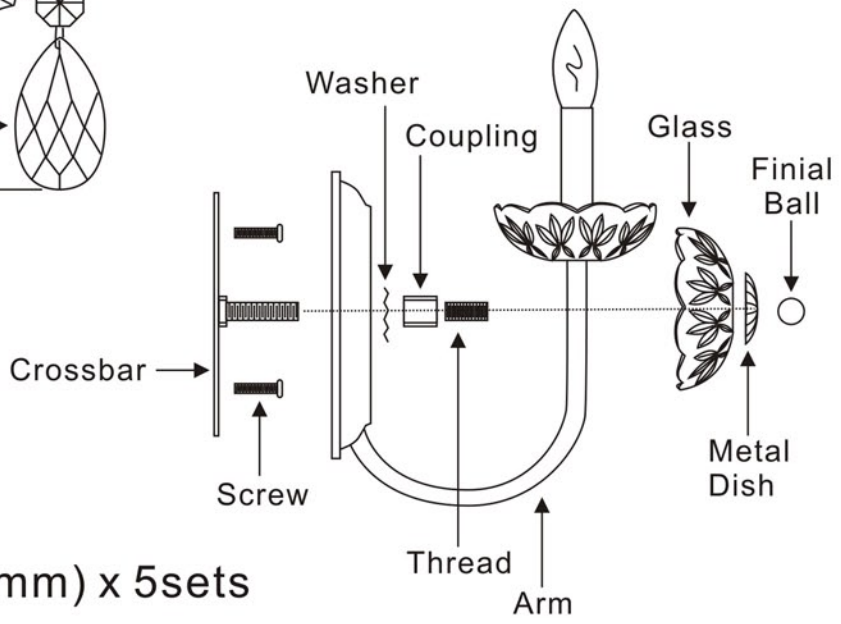
Electrical Danger Turn Power Off

All electrical components must be installed by a licensed electrician in accordance with the National Electric Code and the appropriate local electrical codes.



1 Bobeche with 4 A Trim

You will need 1 - Cand. Bulb
40 Watts Recommended
60 Watts Max
Bulb not included.



A= (14mm+38mm) x 5sets

B= (14mm+76mm) x 1sets