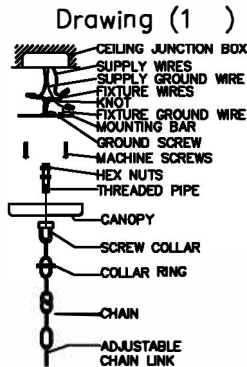
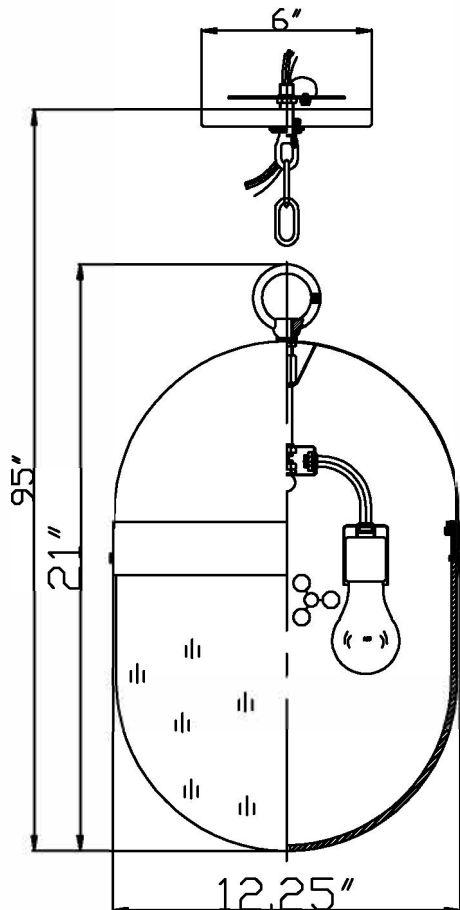


CRYSTORAMA

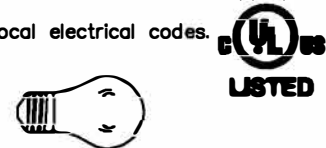
LIGHTING THE WAY FOR SIXTY YEARS



ASSEMBLY INSTRUCTION MODEL #CAP-8506-MK-TG



All electrical components must be installed by a licensed electrician in accordance with the National Electric Code and the appropriate local electrical codes.



You will need 3 - Med. Bulb

60 Watts Recommended

USE LED BULBS FOR EXTENDED USE

California T24 JAB-2016 Qualified: Satco (S9612); 10.5 watt LED Medium Base

recommended. Bulb not included

How to Install

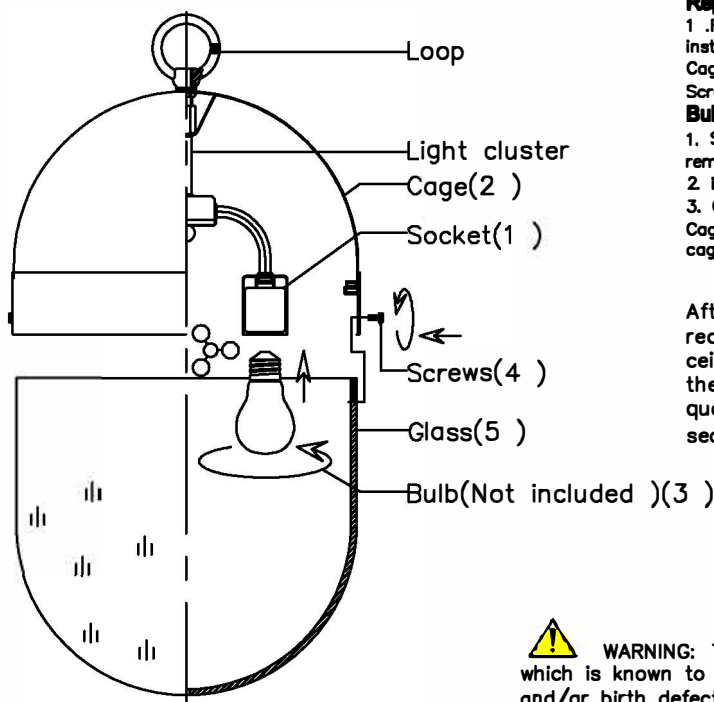
1. To install glass, separate the Cage (2), by removing the Screws (4).
2. Install the bulb (3) to the socket (1).
3. Connect the Glass (5) and the Cage (2), by screwing in Screws (4) to secure cage.
4. The canopy of the fixture can now be mounted to the ceiling by following Instruction Drawing (1).

Replacement Glass Installation:

1. Follow Instructions # 1 and # 3 above to install new glass. Complete by connecting the Cage (2) and the Glass (5) by screwing in Screws (4) to secure cage.

Bulb replacement

1. Separate the Glass (5) and the Cage (2), by removing Screws (4).
2. Install the bulb (3) into the socket
3. Complete by connecting the Glass (5) and the Cage (2) by screwing in Screws (4) to secure cage.



After securing fixture to the ceiling it is recommended that the gap between the ceiling and the canopy be sealed on the top and both sides, with a good quality waterproof caulk or silicone sealant (NOT INCLUDED)



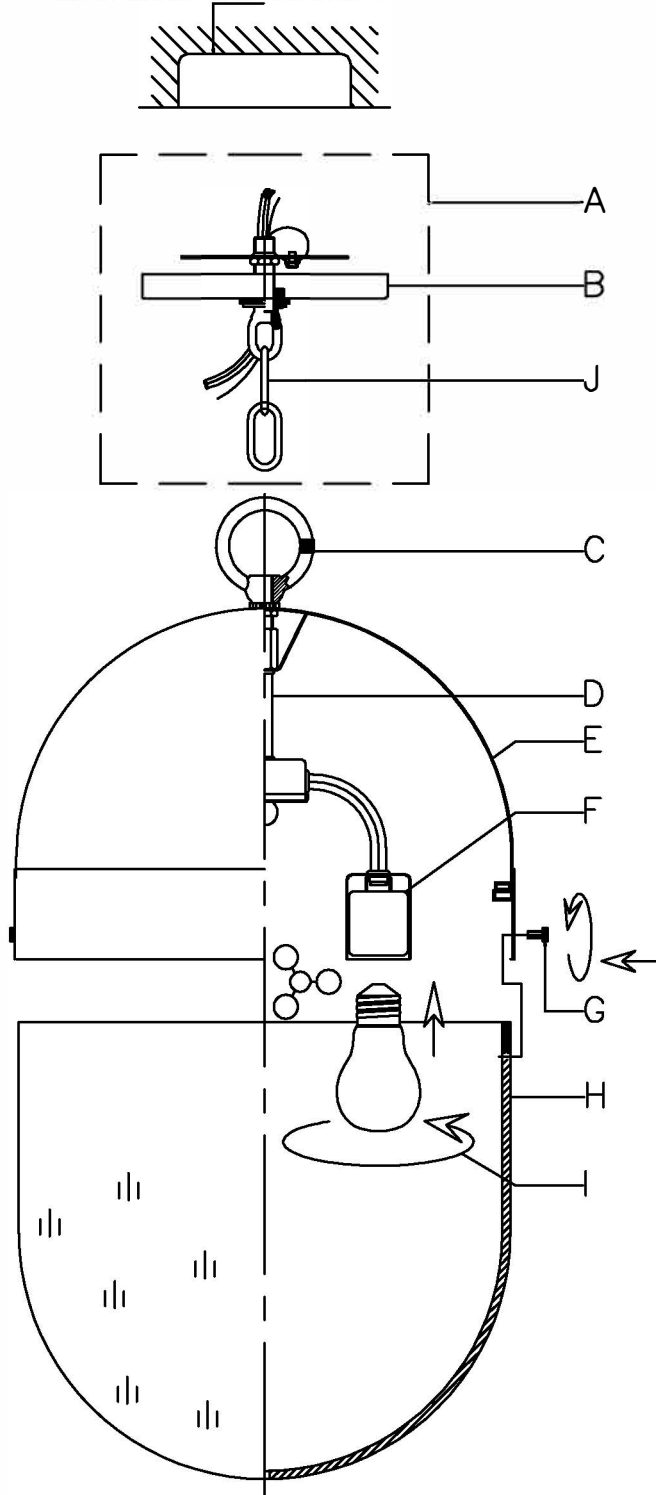
WARNING: This product can expose you to Lead, which is known to the State of California to cause cancer and/or birth defects or reproductive harm. For more information go to www.P65Warnings.ca.gov

CRYST RAMA

LIGHTING THE WAY FOR SIXTY YEARS

PART NUMBER MODEL #CAP-8506-MK-TG

CEILING JUNCTION BOX



Part Number

Part Numbers

- A. (1)—Mounting hardware
- B. (1)—Canopy; W6"XH0.5"; XN08505MKCAN6IN
- C. (1)—LOOP; XN08506MKLOO
- D. (1)—Light cluster
- E. (1)—Cage
- F. (3)—Socket
- G. (3)—Screws
- H. (1)—Glass; ϕ 11.75"X11"; XN08506BOTGLA11.75IN
- I. (3)—Bulb(Not Included)
- J. (1)—Chain; 72",4mm; XN08505MKCHA4MM