

CRYST RAMA



1958

95 Cantiague Rock Road, Westbury NY 11590

ph:516.931.9090 fax: 516. 931.1254

info@crystorama.com www.crystorama.com

MODEL#:5200

ASSEMBLY AND DRESSING INSTRUCTIONS

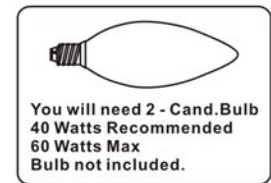
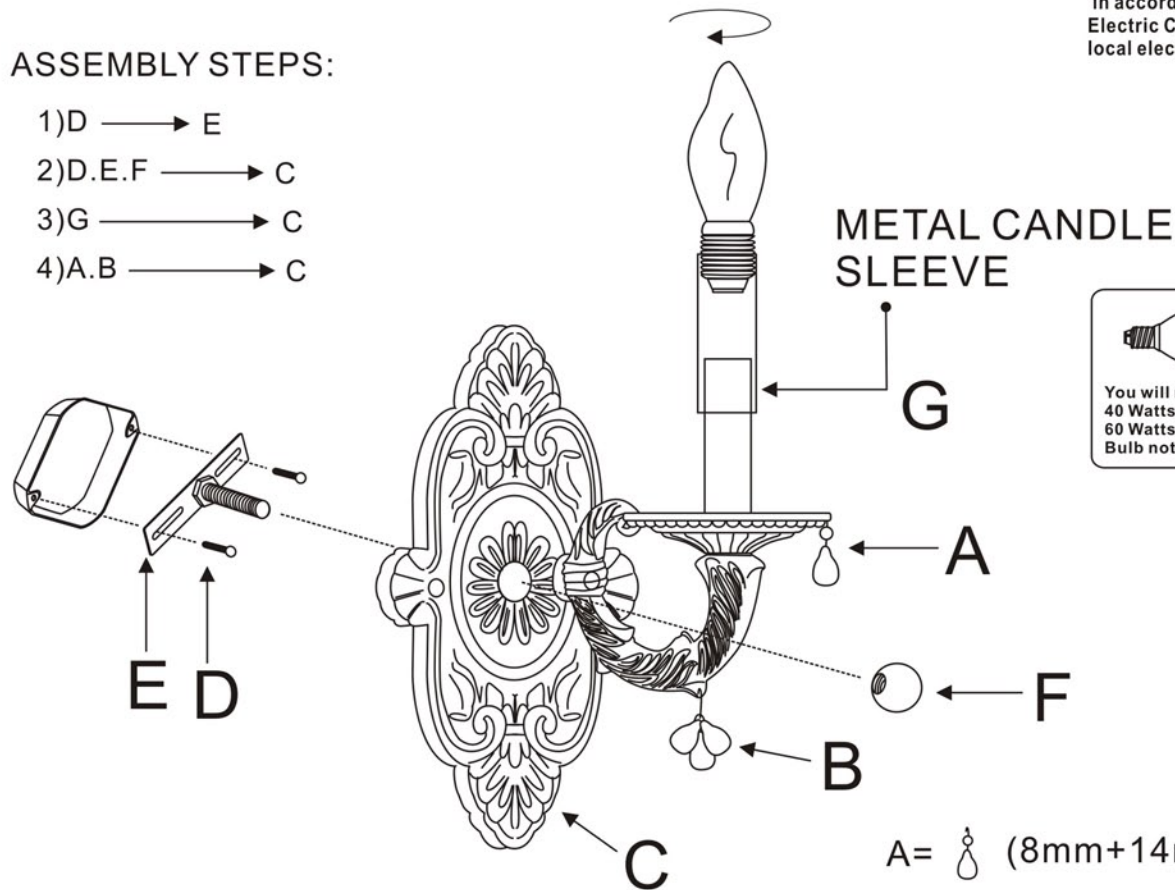



All electrical components must be installed by a licensed electrician in accordance with the National Electric Code and the appropriate local electrical codes.



ASSEMBLY STEPS:

- 1) D → E
- 2) D.E.F → C
- 3) G → C
- 4) A.B → C



A =  (8mm+14mm) x 8sets

B =  (14mmx4pcs) x 2sets

