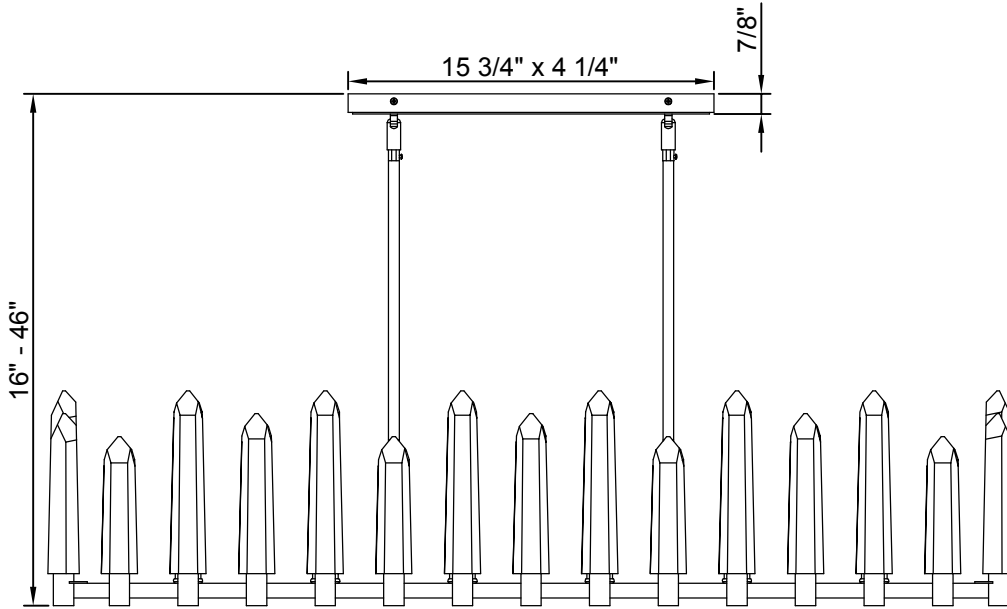


CRYSTORAMA

LIGHTING THE WAY FOR SIXTY YEARS

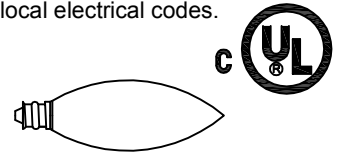
ASSEMBLY INSTRUCTION MODEL #WAT-B2006-PN



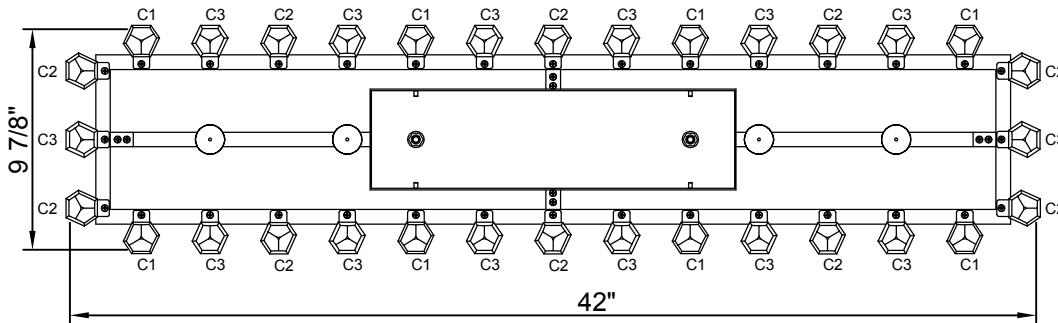
WARNING:

Electrical Danger Turn Power Off

All electrical components must be installed by a licensed electrician in accordance with the National Electric Code and the appropriate local electrical codes.



You will need 6 - Candelabra Bulb
40 Watts Recommended 60 Watts Max.
USE LED BULBS FOR EXTENDED USE



How to Install

1. Determine correct length of stem needed for hanging height. Screw the stem on the body and canopy.
2. Attach mounting plate to the outlet box using box screws.
3. Connect the fixture wires to the supply wires.
4. Mount the fixture to the outlet box with ball nuts.
5. Carefully insert the crystal bars into the cup holder as per illustration below. (A magnet is glued onto bottom of crystal bar to make tight contact with the cup holder)
6. Install the bulb (Not included) in accordance with the fixture's specifications. (DO NOT EXCEED THE MAXIMUM WATTAGE RATING!)

CRYSTORAMA

LIGHTING THE WAY FOR SIXTY YEARS

PART NUMBER MODEL #WAT-B2006-PN

