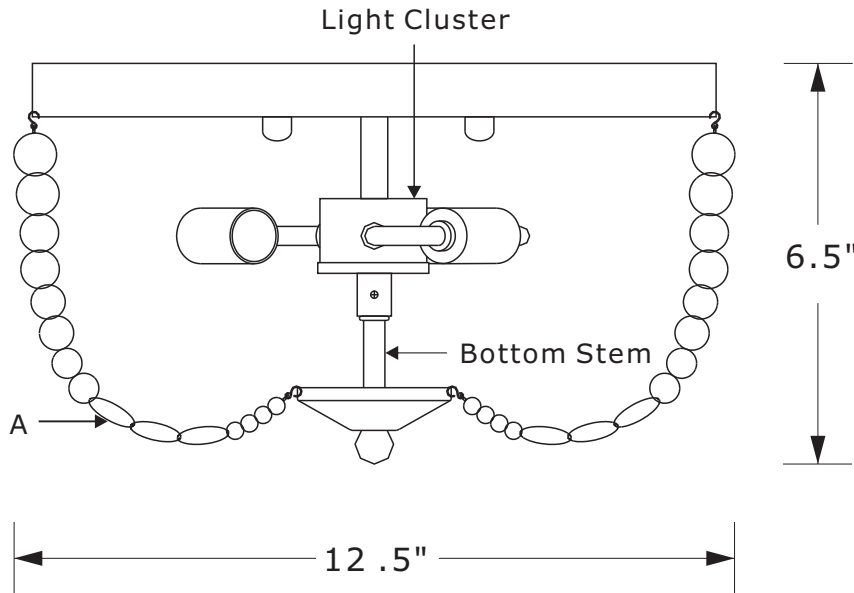


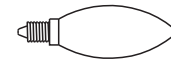
CRYSTORAMA

LIGHTING THE WAY FOR SIXTY YEARS

ASSEMBLY INSTRUCTION MODEL #600-FB



All electrical components must be installed by a licensed electrician in accordance with the National Electric Code and the appropriate local electrical codes.



You will need 3 -Candelabra Base Bulb
40 Watts Recommended 60 Watts Max.
USE LED BULBS FOR EXTENDED USE

How to Install

1. Do a complete inventory of all parts and components before you start installation.
2. Attach the Bottom Stem onto the Light Cluster.
3. Raise the Light Cluster onto the Mounting Plate, and secure it with the Ball Nuts.
4. Dress the fixture with beads "A" as illustrated.

Bead Sets

- A. 32 Sets.
(2)20mm + (2)18mm + (2)16mm
+ (2)14mm + (3)(22-11)mm +
(4)8mm

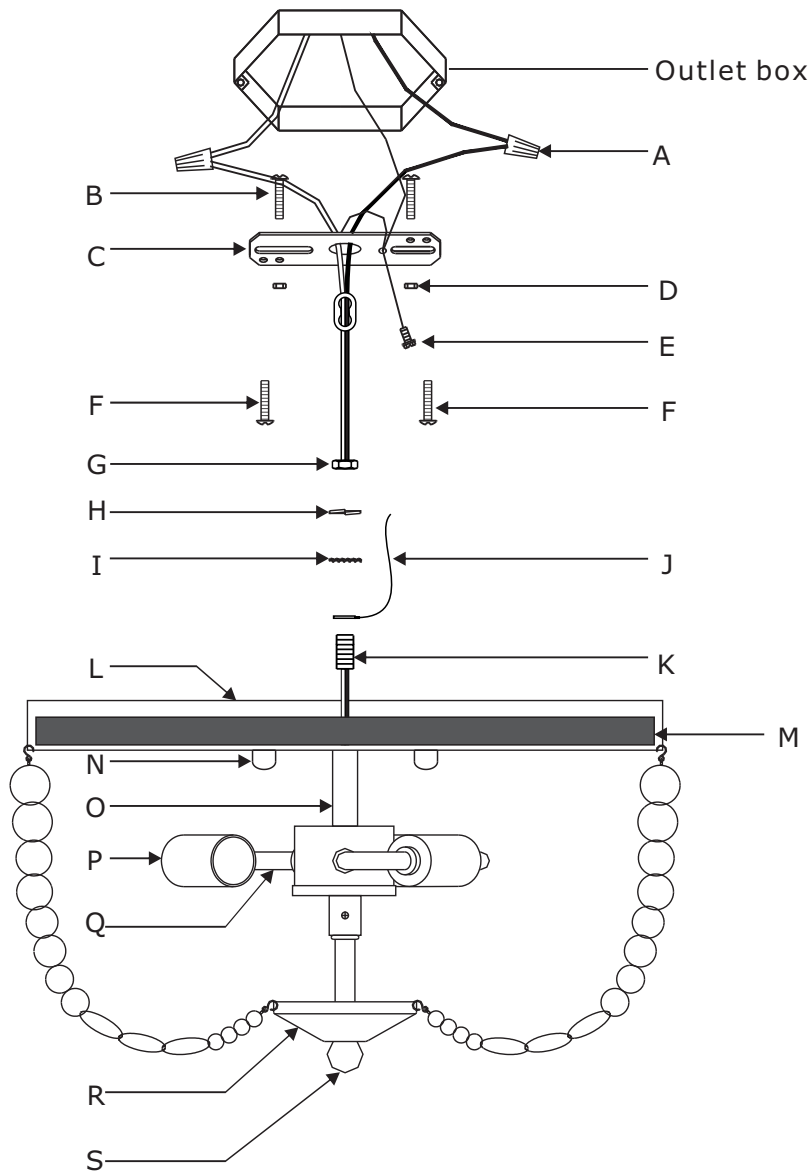


WARNING: This product can expose you to Lead, which is known to the State of California to cause cancer and/or birth defects or reproductive harm. For more information go to www.P65Warnings.ca.gov.

CRYSTORAMA

LIGHTING THE WAY FOR SIXTY YEARS

PART NUMBER MODEL #600-FB



Part Number

- A. (2) - Wire Connector
- B. (2) - Screw
- C. (1) - Mounting Plate
- D. (2) - Hex Nut1
- E. (1) - Ground Screw
- F. (2) - Outlet Box Screws
- G. (1) - Hex Nut2
- H. (1) - Spring Washer
- I. (1) - Lock Washer
- J. (1) - Ground Wire
- K. (1) - Threaded Pipe
- L. (1) - Canopy(12"x1")
- M. (1) - Insulation Pad
- N. (2) - Ball Nut #XRE600FBBALLNUT
- O. (1) - Top Stem
- P. (3) - Socket Sleeve
- Q. (3) - Arms
- R. (1) - Metal Cap #XRE600FBCAP
- S. (1) - Finial #XRE600FBBOTFIN