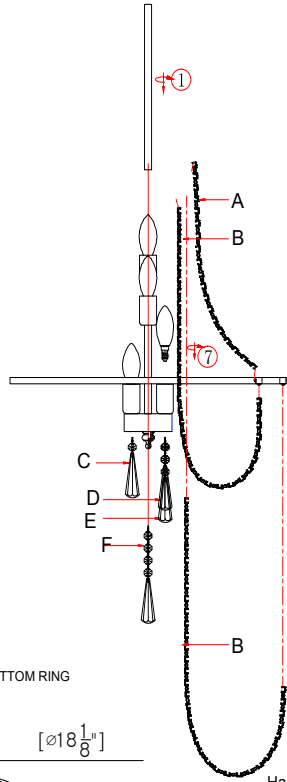
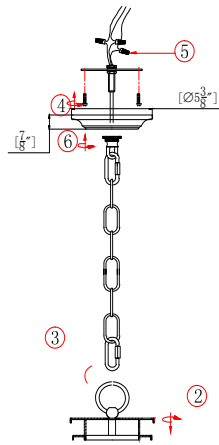


CRYSTORAMA

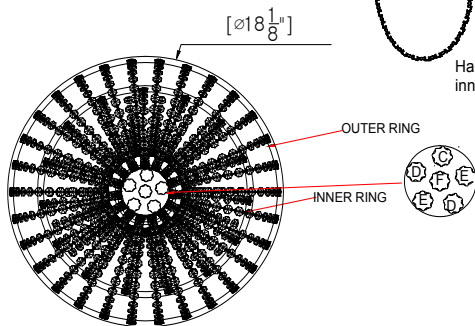
LIGHTING THE WAY FOR SIXTY YEARS



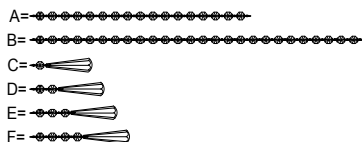
ASSEMBLY INSTRUCTION MODEL #ARC-1907-SA-CL-MWP



BOTTOM VIEW OF BOTTOM RING



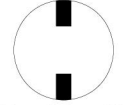
Hang crystal strand "B" alternating on inner ring and outer ring



WARNING:



Electrical Danger



Turn Power Off

All electrical components must be installed by a licensed electrician in accordance with the National Electric Code and the appropriate local electrical codes.



You will need 4 Candelabra Base Bulb 40 Watts Recommended 60 Watts Max. USE LED BULBS FOR EXTENDED USE

How to Install

1. Attach the mounting strap onto the outlet box by machine screws. Thread the screw collar loop onto the bottom of threaded nipple on the mounting strap.
2. Screw the center stem kit onto the frame.
3. Decide the preferred hanging height and adjust to the required chain. Hang one end of the chain onto the loop and second end of it onto the screw collar.
4. After the wires are connected, raise the canopy up against the ceiling and secure it by screw collar loop ring.
5. When you begin to dress the fixture, start with package labeled (A).
6. IMPORTANT: Apply crystal sets in alphabetical order.

Crystal Sets

- A. 18sets 22*14mm
- B. 45sets 34*14mm
- C. 1set 1*14mm+1*76mm drop
- D. 2set 2*14mm+1*76mm drop
- E. 2set 3*14mm+1*76mm drop
- F. 1set 4*14mm+1*76mm drop

WARNING: This product can expose you to Lead, which is known to the State of California to cause cancer and/or birth defects or reproductive harm. For more information go to www.P65Warnings.ca.gov



PART NUMBER MODEL #ARC-1907-SA-CL-MWP

Part Number

Part Numbers

- A. (1)-Mounting Hardware
- B. (1)-Canopy; $\phi 5 \times H1$ " (XBN1905SACAN5IN)
- C. (1)-Screw Collar Loop Ring
- D. (1)-Screw Collar Loop
- E. (1)-Chain; L72" (XBN1905SACHA4MM)
- F. (1)-Fixture Loop; $\phi 2$ " (XBN1907SALOO)
- G. (1)-Upper Ring; $\phi 5 \frac{1}{2}$ "
- H. (1)-Lower Ring; $\phi 5 \frac{2}{5}$ "
- I. (1)-Center Stem; L16" (XBN1907SASTEM16IN)
- J. (1)-Bottom Ring; $\phi 18$ "
- K. (1)-Bottom Finial; H1 $\frac{1}{5}$ " (XBN1907SAFIN)

