



ASSEMBLY INSTRUCTION MODEL#XAV-B8305-VG-BL

WARNING:



Electrical Danger



Turn Power off

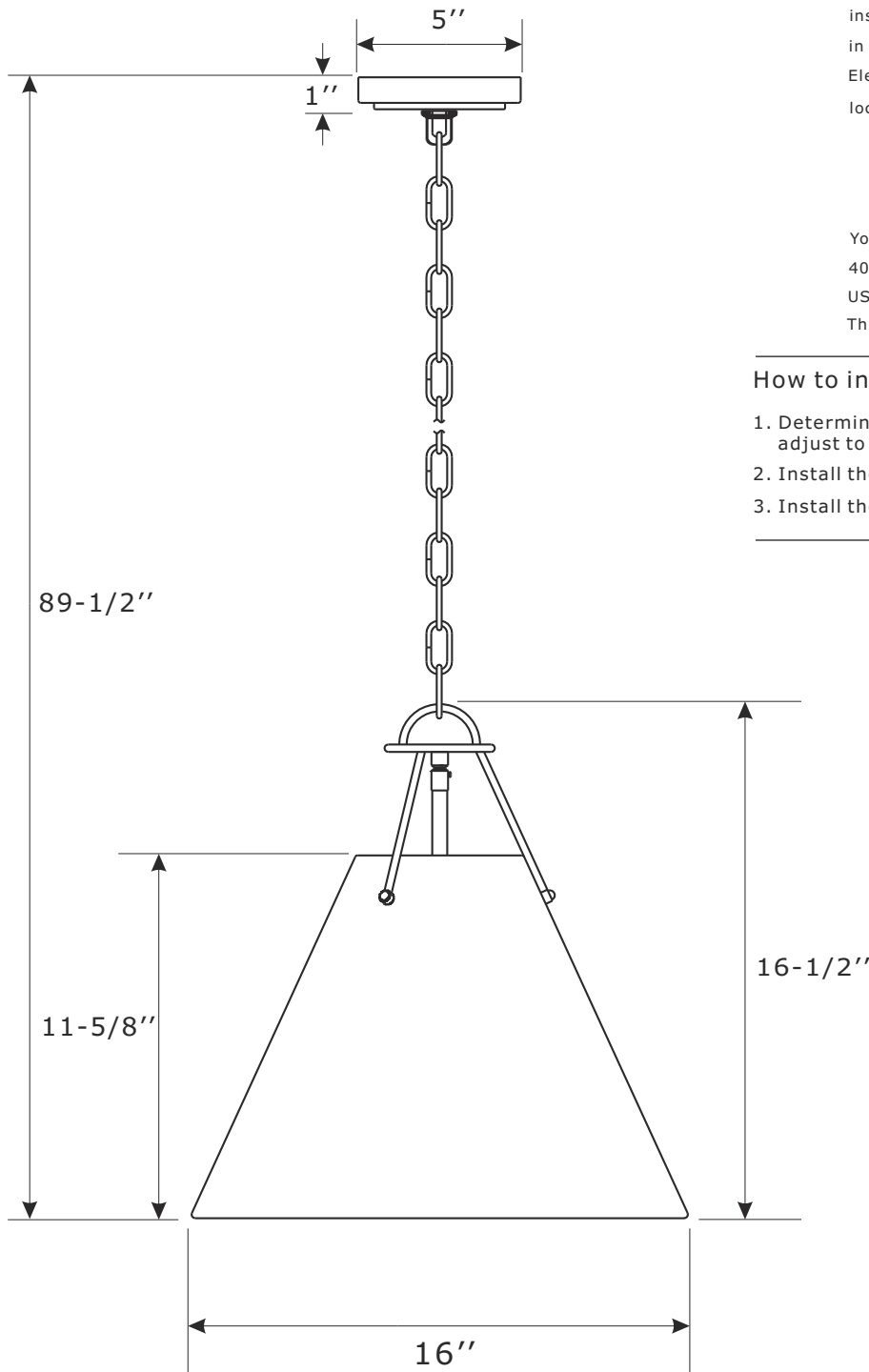
All electrical components must be installed by a licensed electrician in accordance with the National Electric Code and the appropriate local electrical codes.



You will need 3- Candelabra Base Bulb
40 Watts Recommended 60 Watts Max.
USE LED BULBS FOR EXTENDED USE
This fixture is Damp rated

How to install

1. Determine the preferred hanging height and adjust to the chain required.
2. Install the fixture onto outlet box.
3. Install the bulb(not included) into the socket.





Part Number

Part Numbers

- A. (1)-Mounting hardware
- B. (1)-Canopy W5''xH1'' #XRF8301VGBLCAN5IN
- C. (1)-Collar Loop
- D. (1)-Collar ring
- E. (1)-Chain -L72'', 3.8mm thick #XRF8301VGCHA3.8MM
- F. (1)-Loop
- G. (1)-Socket
- H. (1)-Metal shade #XRF8305BLSHA12IN

